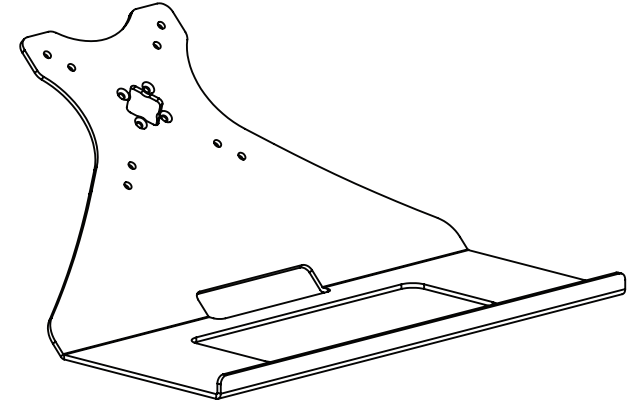


# INSTALLATION GUIDE

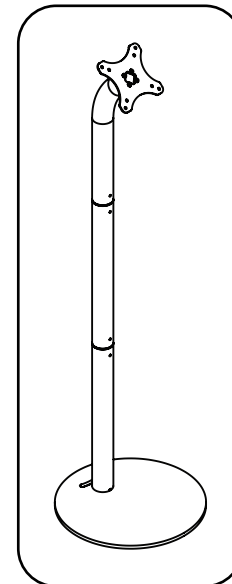
## Keyboard Tray for VidaMounts

### VB\_VESA\_MNT\_KT

Designed for Fixed Surface VESA VidaMounts



Compatible with: VB\_VESA\_FFS



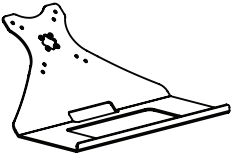
# Installation Instructions

## Keyboard Tray for VidaMounts

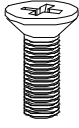
**Important Note:**

- If charging is desired, please prepare the extension cable and/or charging solution for the tablet mount first. Installing the charging solution / extension cable will be easier to do now than it will be to do later.
- This Keyboard Tray is compatible with the VB\_VESA\_FFS. VESA:75\*75mm and 100\*100mm compatible.

**Component Checklist:**




Keyboard Tray




(4) M4x12 Philips Countersink Head Screws

**① Assemble the VB\_VESA\_FFS**

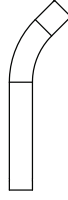
Follow the originally included instructions, and assemble the VB\_VESA\_FFS



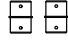
Bottom Tube  
(with Kensington Lock)



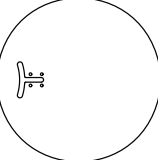
Middle Tube




Top Tube



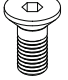
(2) Threaded Connecting Collars with M3 Set Screws




Circular Base Plate




(4) M4x8 Phillips Pan Head Screws



(4) M5 Hex Countersunk Screws

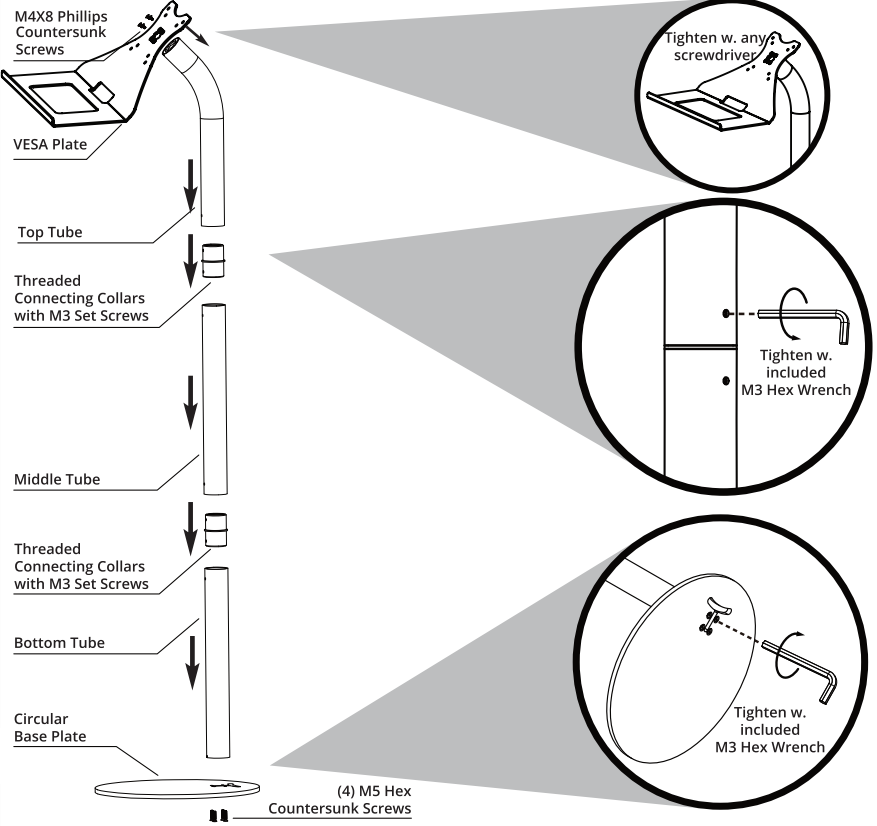


(4) M4x8 Phillips Head Countersunk Screws



M3 Hex Wrench

**② Assemble the Floor Stand**



M4x8 Phillips Countersunk Screws

VESA Plate

Top Tube

Threaded Connecting Collars with M3 Set Screws

Middle Tube

Threaded Connecting Collars with M3 Set Screws

Bottom Tube

Circular Base Plate

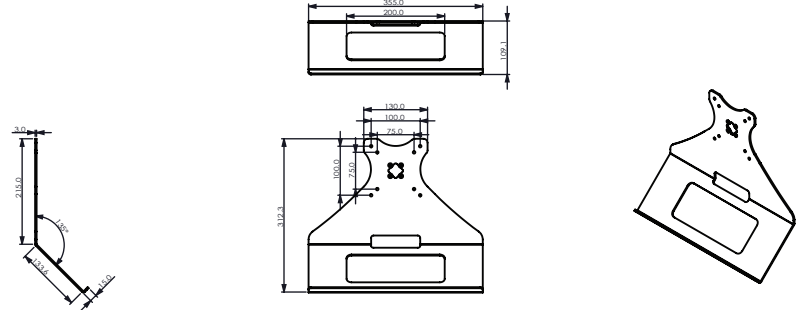
(4) M5 Hex Countersunk Screws

Tighten w. any screwdriver

Tighten w. included M3 Hex Wrench

Tighten w. included M3 Hex Wrench

**Dimensions / Diagram**



355.0  
290.0  
102.1

130.0  
100.0  
75.0

312.3

218.0  
100.0  
75.0  
45.0  
15.0  
15.0