

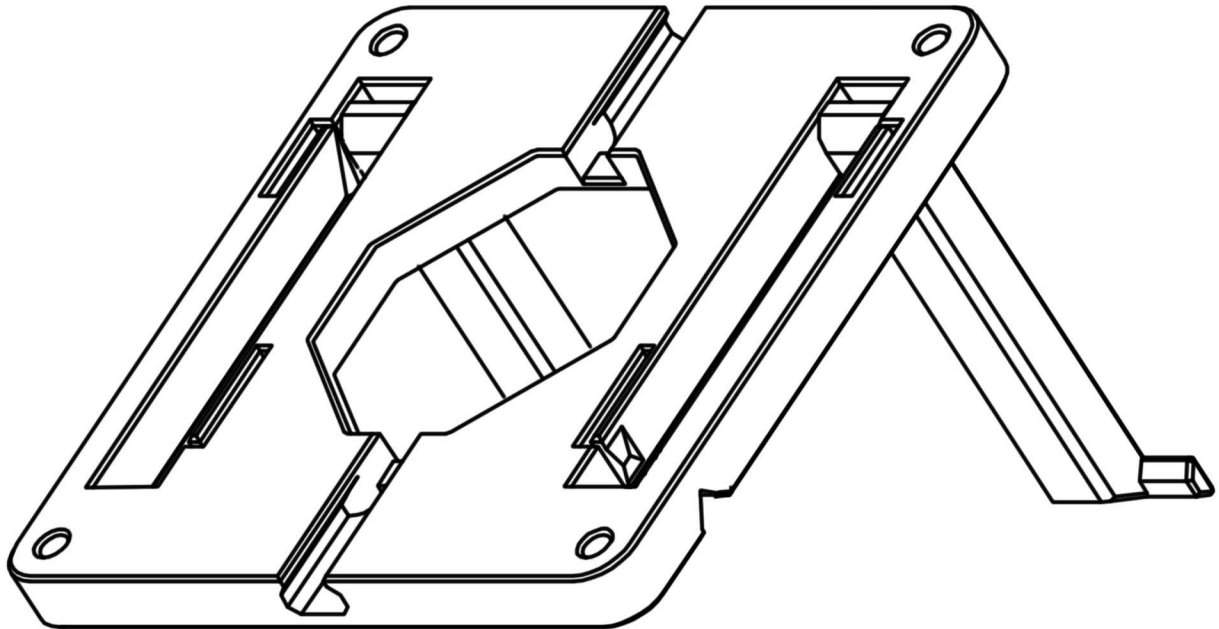
INSTALLATION GUIDE

Foldable Kickstand

VB_MNT_FKS

Ideal for VidaMount VESA & OpenVESA Tablet Enclosures

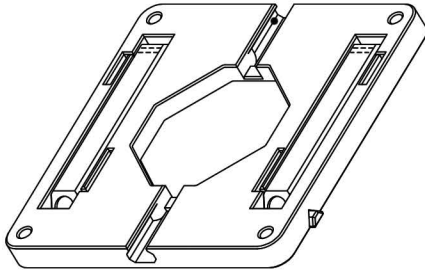
VESA 100x100 Compatible



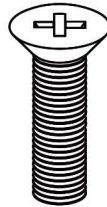
Installation Instructions

Foldable Kickstand : VESA 100x100mm Compatible

Component Checklist:

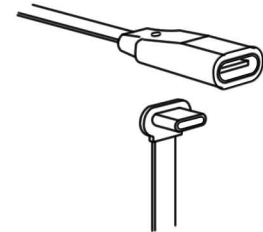


(1) Foldable Kickstand Adapter



(4) M4 x 16mm Countersink Flat Head Screws

Optional, but recommended:



VidaPower High-Wattage, USB-C Extension Ribbon Cable
[SOLD SEPARATELY]

A OPTIONAL: Embed Charging Solution

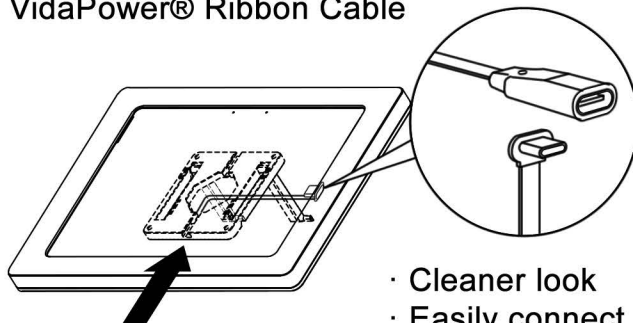
Will the VESA device require constant power?

- If so, install / embed a charging cable now. We recommend installing this cable first.
- If not, skip to **[Step D]**

Decide between the Foldable Kickstand's (FKS) (2) supported charging options:

[Option 1]

External USB-C Port : Use Optional VidaPower® Ribbon Cable



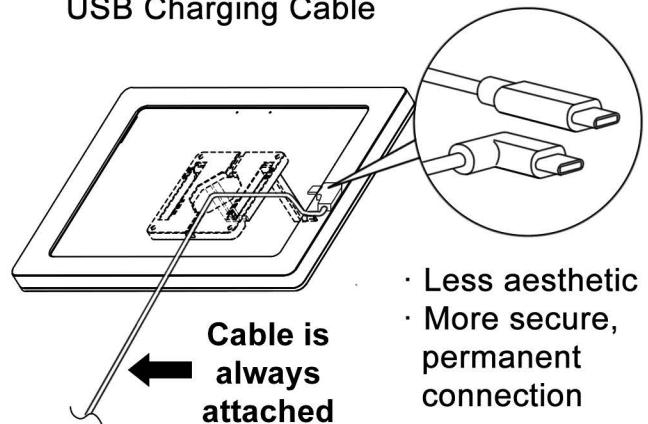
Cable plugs in at external USB-C port

- Cleaner look
- Easily connect or disconnect cable anytime

Proceed to **[STEP B]**

[Option 2]

Direct Connection : Use USB Charging Cable



Cable is always attached

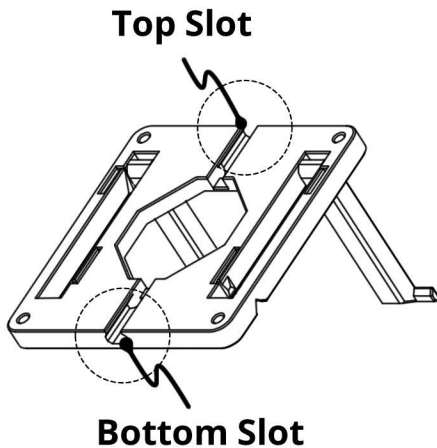
- Less aesthetic
- More secure, permanent connection

Proceed to **[STEP C]**

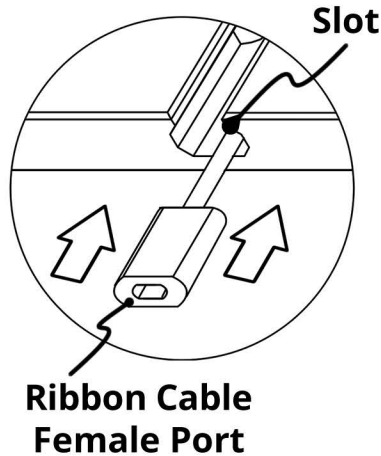
B Install VidaPower® Ribbon Cable

Create an externalized USB-C port by installing the VidaPower® Ribbon Cable as follows:

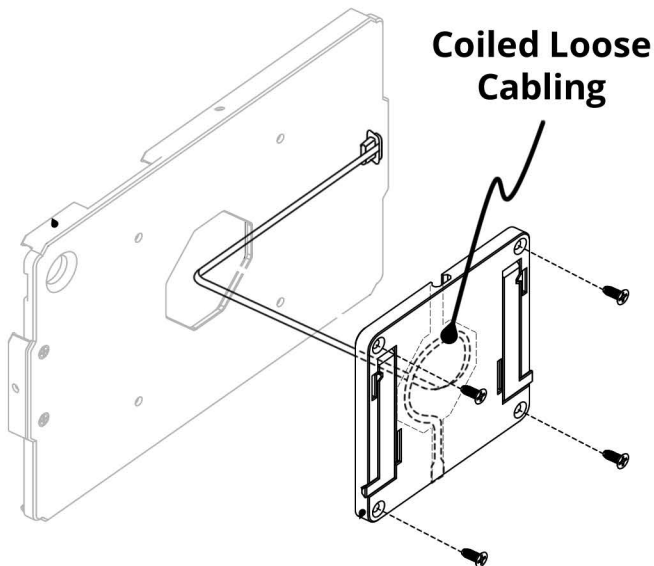
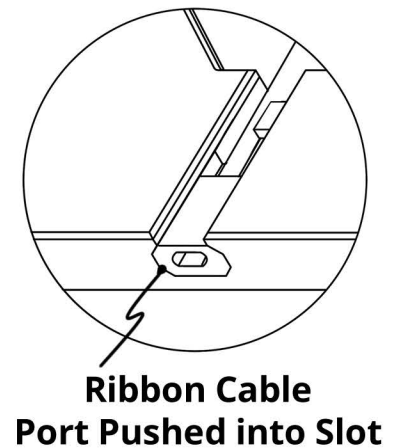
[B1] Decide where we want the externalized USB-C port:
Top Slot [or] Bottom Slot.



[B2] Align the female end of the VidaPower Ribbon Cable with the desired slot.



[B3] Push firmly until the female port's front face is flush against the surface.



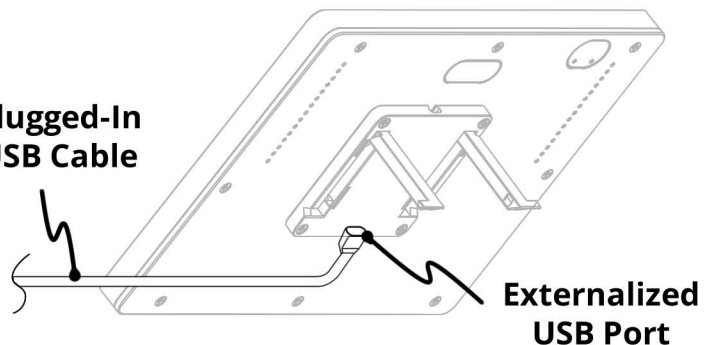
[B4] Route the male end of the ribbon cable into your VidaMount VESA or OpenVESA® enclosure, and complete the tablet / device installation now.

[B5] Coil / tuck any loose cabling into the octagonal void space, then install the (4) M4 x 16mm screws to secure the Kickstand to the enclosure.

[B6] With the assembly complete, you can now provide power / data via USB-C to the device inside!

Skip to [STEP D]

Plugged-In USB Cable

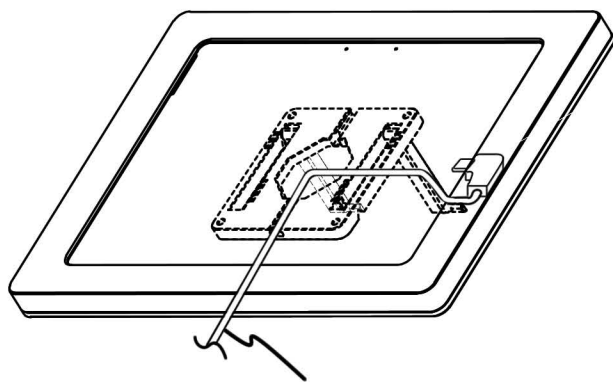


C Embed Long USB Cable

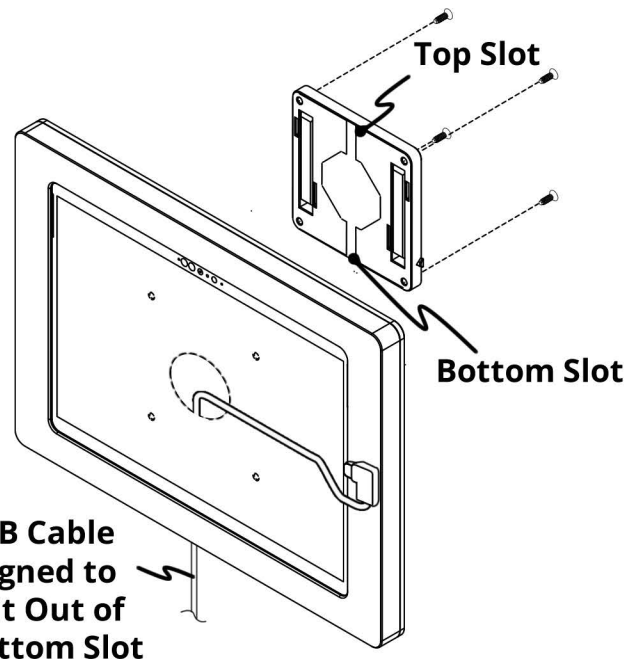
[C1] Install the USB Charging Cable into your VESA enclosure now.

[C2] Decide where you prefer to route the embedded USB Charging Cable - i.e. exiting out of the Top Slot [or] Bottom Slot.

[C3] Align the VESA pattern on the kickstand to the enclosure, install the (4) M4 x 16mm screws to secure both pieces together.



USB Cable Aligned for Bottom Slot



Proceed below to [STEP D]

D Using the Kickstand : Opening & Closing the Retractable Supports

Flip open both retractable supports to turn your assembly into a desk stand.

To Open

Simply PULL up on the (2) protrusions until each Support locks into place.

To Close

Simply PUSH both protrusions back into its resting position.

Support Protrusions

PULL: To Open
PUSH: To Close

