

INSTALLATION GUIDE

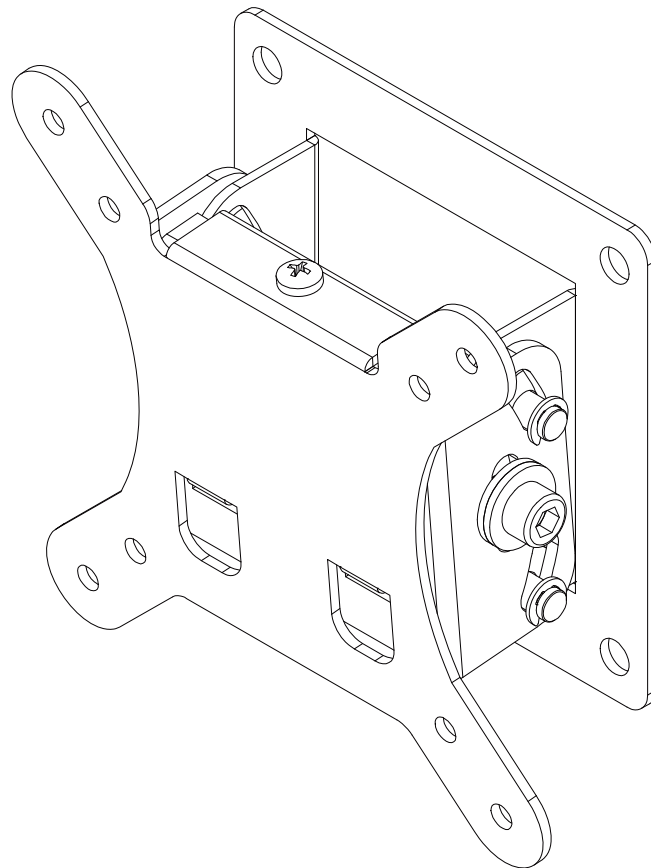
VidaMount Tilting VESA Wall Mount

VB_VESA_MNT_TW

Ideal for VidaFrame Tablet Enclosures

Max Load Capacity: 30 lbs (13.6 kg)

VESA 75x75 / 100x100 compatible



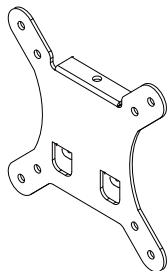
Installation Instructions

VidaMount Tilting VESA Wall Mount Locking option & VESA Compatible

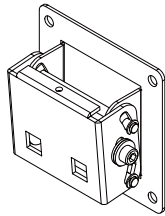
Important Notes:

- This cantilever bracket supports up to a 30lbs [13.6kg] maximum loading capacity. Do not overload
- VESA: 75x75 (3"x3") and 100x100 (4"x4") compatible.

Component Checklist

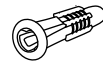


(1) VESA Plate



(1) Tilting Wall Plate

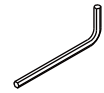
PARTS LIST



(4) Drywall Anchors



(4) Philips Pan Head Screws



M5 Inner Hexagon Spanner



(4) M4x0.7x12 Short Pan Head Screws



(4) M4x0.7x20 Pan Head Screws

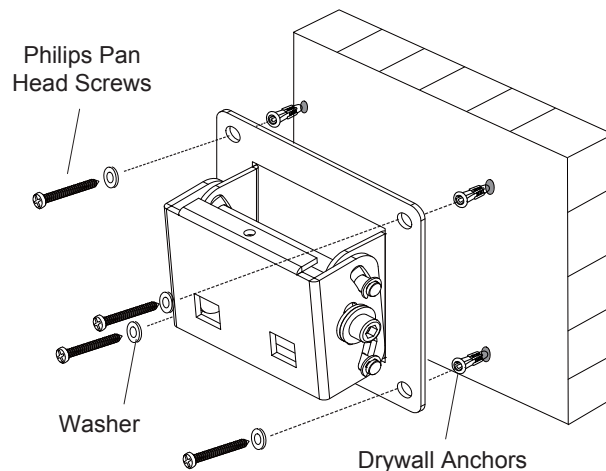


(4) Washers
Ø6.2 x Ø16 x 1.5

A Mounting the Wall Plate

IMPORTANT: Drill (4) Ø9/32 holes for the (4) drywall anchors.

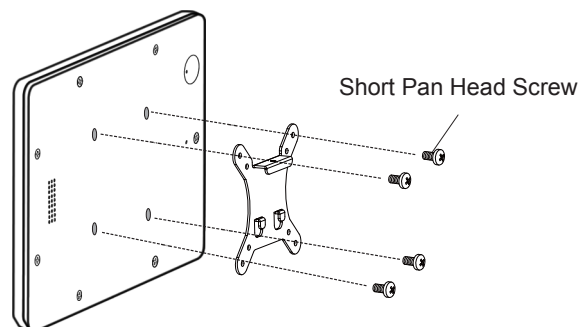
NOTE: For best results, use a level to ensure the Tilting Wall Plate is horizontal.



B Install the VESA plate onto the Tablet Enclosure

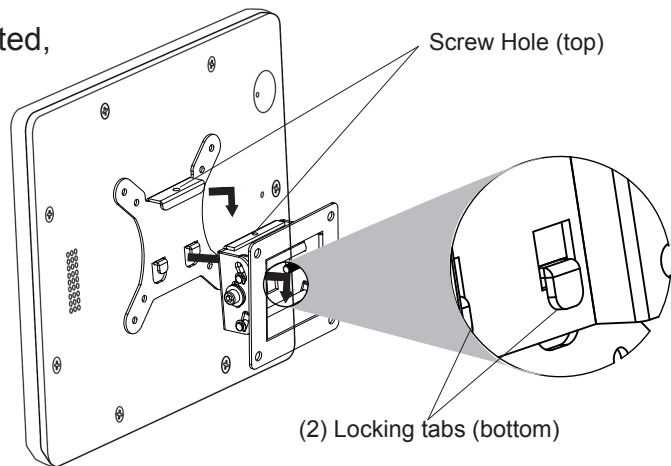
NOTE: Ensure the VESA plate is securely mounted as shown.

VESA: 75x75 / 100x100

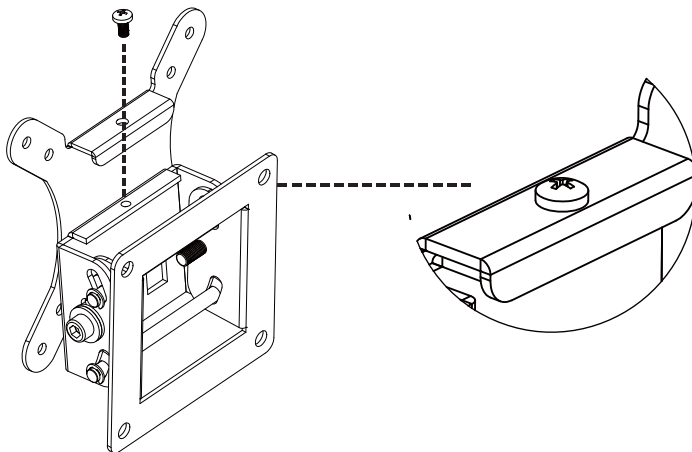


C Put the front plate on the wall panel

- With the VESA Plate securely mounted, hang the entire assembly onto the Tilting Wall Plate, as shown.
- Make sure the (2) locking tabs on the bottom plus the (1) screw hole on top of the VESA plate all line up with the Wall Plate, as shown.
- Be careful and take your time to install this properly - other, damage may occur.

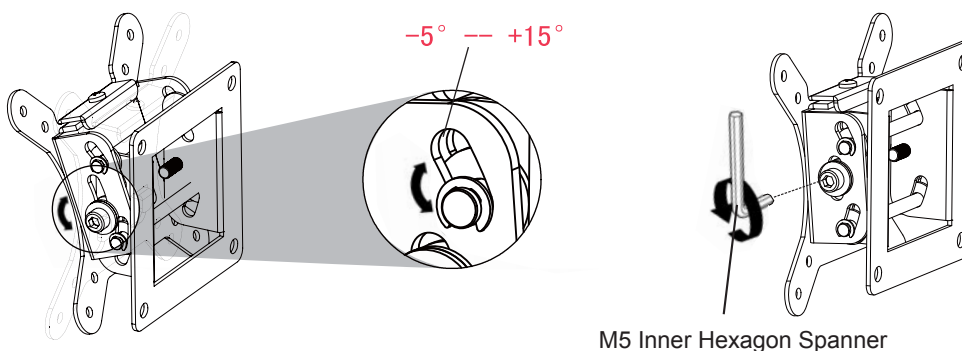


D Fix the wall plate and front plate



- After the VESA plate is installed and hanging on the wall plate, use the included M4X12 Phillips pan head screws to secure these two parts.

E Angle adjustment



- (1) Finally, adjust the tilt angle so that the tablet enclosure is viewable in its ideal state. Maximum angle is -5° to +15°
- (2) After adjusting the tilt / tablet viewing angle, use the included M5 Inner Hexagon spanner to secure the hexagon screw, as shown in the picture above.