

# **INSTALLATION GUIDE**

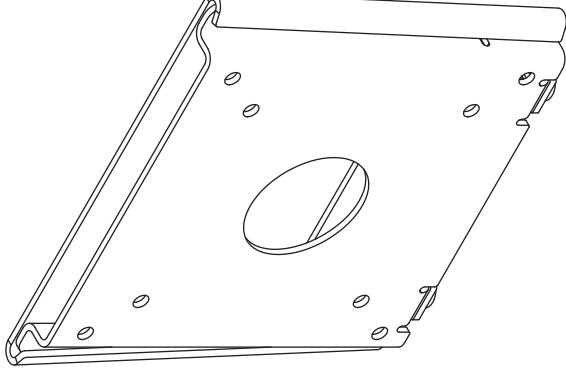
## **VidaMount Fixed VESA Slim Wall Mount**

### **VB\_VESA\_MNT\_FSW**

Ideal for VidaMount VESA Tablet Enclosures

Max Load Capacity: 50 lbs (22.6 kg)

**VESA 75x75 / 100x100 compatible**



# Installation Instructions

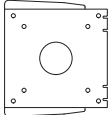






VidaMount Fixed VESA Slim Wall Mount  
Locking option & VESA Compatible

## Important Note:

- Do not overload. This bracket supports up to a maximum loading capacity of:
  - 50 lbs [22.6 kg] when mounted directly onto a wall
  - 2.2 lbs [1 kg] when mounted to a gang box
- VESA: 75x75 (3"x3") and 100x100 (4"x4") compatible

## Component Checklist:

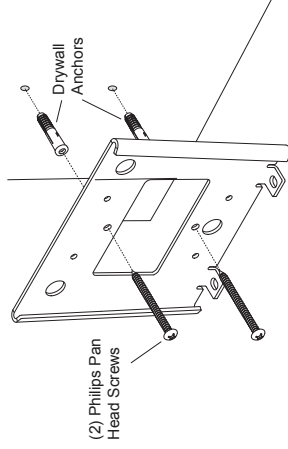
Before Starting, decide on which of these three (3) mounting methods below will be used:

	(1) Wall Plate		(2) Drywall Anchors		(2) Phillips Pan Head Screws
	(2) Small Locking Screws (For Bottom of Wall Plate)		(4) #6-32 x 1" Pan Head Screws		(2) M3.5 x 25mm Pan Head Screws with Washers
	(4) M4x8mm Short Pan Head Screws				

## Mounting Choice ① Mount Wall Plate to a Wall

**IMPORTANT:** Drill (2) Ø9/32 holes for the (2) drywall anchors.

**NOTE:** For best results, use a level to ensure the wall plate is horizontal.

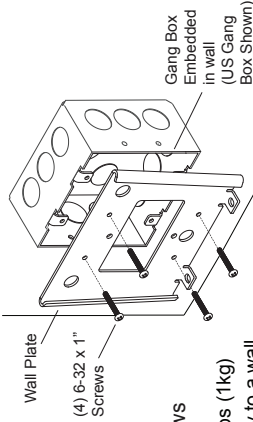


## Mounting Choice ② Mount Wall Plate to an Electrical / Gang Box

If an existing electrical gang box exists, we can also mount the wall bracket to the gang box (G. Box) directly.

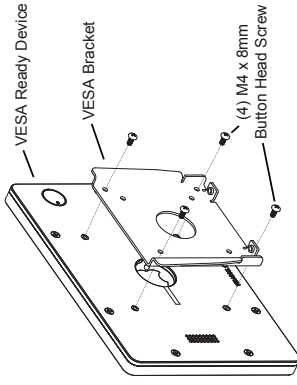
**For...**  
US G. Box (4) #6-32 x 1" screws  
EU/Intl G. Box (2) 3.5mm x 25mm screws

**IMPORTANT:** Max. supported weight is 2.2 lbs (1kg) when mounting to gang box instead of directly to a wall



## Ⓐ Install the VESA Plate onto the VESA-ready enclosure / display

Once the Wall Plate is secure, the next step is to install the VESA bracket onto our VESA ready device (e.g. A VidaMount Enclosure)

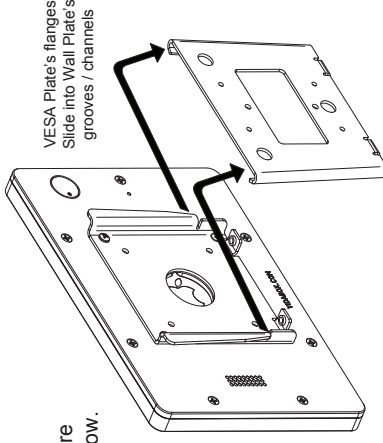


To do so, use the (4) included M4 x 8mm button head screws (optimized for VidaMount Enclosures) or screws included with your VESA ready device.

## Ⓑ Place, slide, & align the VESA Plate onto the Wall Plate

**NOTE:** If this is a VidaMount enclosure installation, connect the USB cable now.

After our VESA plate is securely mounted onto our VESA compatible device, we can align the flanges of the VESA plate and slide it into the receiving / matching grooves on the wall plate.



## Ⓒ OPTIONAL: Secure the VESA mount with the included screws

Lastly, to secure the VESA mounted device, use the (2) included locking screws, and install them at the bottom of the Wall Bracket.

Installing the (2) screws will lock the VESA plate to the wall plate, preventing unintended removal!

**NOTE:** If the VESA mounted device is meant to be removable, SKIP this step.

