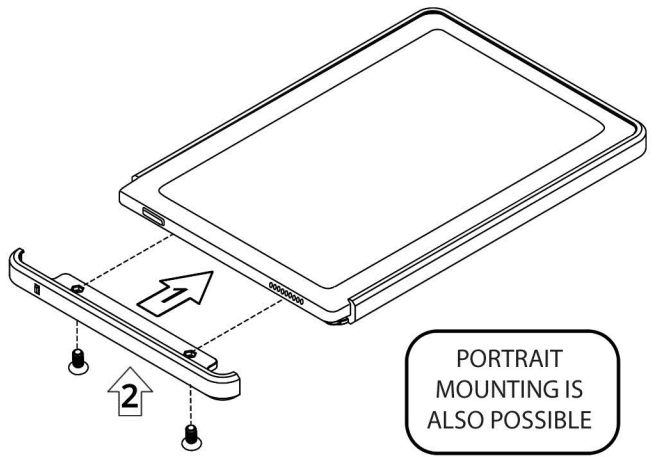


F Reassemble the Enclosure

Reinstall the screws we removed in Step A:

[1] Slide the Edge Retainer into the slot built in on the Main Frame

[2] Re-install the (2) x Assembly Screws



The tablet is now securely installed in the enclosure!

INSTALLATION GUIDE

VidaMount® VESALite™

Additive 3D Manufactured Tablet Enclosure

VB_VESALITE Series

Securely display your tablet with covered ports, configurable buttons, plus VESA 100 compatibility. Includes Main Frame, Retainer, Assembly Screws, & an Ultra-Slim VidaPower® M-F Ribbon Cable.

G Connect Tablet and/or USB-C Extension Cables



Connect into the Ribbon Cable's female end:

- A male-to-male **USB-C 3.0** cable [or]
- Other **USB-C 3.0** extension cables

DO NOT USE USB-C 2.0 CABLES - it won't work!

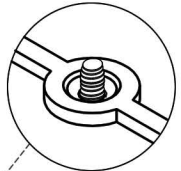
Extend the total length of your USB-C cable **BEFORE** mounting this onto your VESA bracket

IMPORTANT - If Using Non-VidaBox VESA Mounts: Check VESA Screw Length

Pro-Tip: You can SKIP this step & mount onto your VESA bracket IF you are using a VidaBox-branded VESA Mount. Otherwise, proceed below.

IMPORTANT:

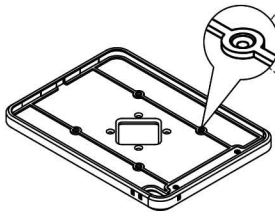
If using non-VidaBox VESA Mounts, you **MUST** check to make sure that the screws **DO NOT PROTRUDE** beyond the back plate surface.



NO GOOD

Installed screws **PROTRUDE BEYOND** back plate surface: **WILL DAMAGE TABLET!**

New, shorter screws will be needed. Using these screws **WILL DAMAGE** the tablet when the enclosure is fully assembled!

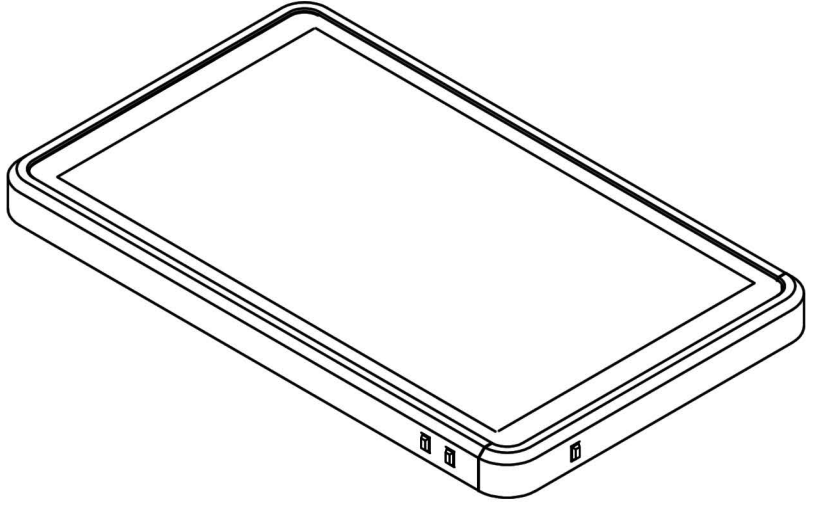


GOOD

Installed screws **DO NOT PROTRUDE** past the main plate surface: **OK to use!**

Proceed to install your enclosure to your 3rd party mount **ONLY** after the screw length is confirmed "Good."

Review the diagrams on the right



Installation Instructions

VidaMount VESALite Tablet Enclosure

Important Notes



[1] Appearance and size of the parts shown will vary, to match your tablet. The only tablet that will fit this enclosure is the tablet it is designed for. The enclosure is custom fitted and it cannot fit other tablet models!

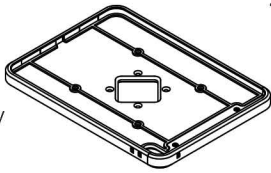
[2] For best results, use VidaMount VESA brackets (from VidaBox) for this enclosure. They have been specifically fitted to work with this item.

Other VESA mounting hardware can only be used after carefully checking the VESA mount screw length (Step F). Too long a screw will crush and damage the tablet!

Component Checklist

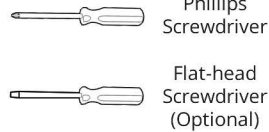
VidaMount VESALite Enclosure

[Note: Part appearance will vary depending on the tablet model]



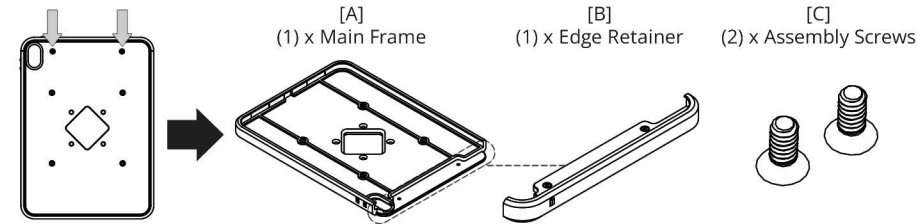
12" M-F Ribbon Cable w. 90° Male Connector

TOOLS YOU'LL NEED
(Not Included)



A Disassembling the VESALite Enclosure

Remove the flat-head screws as shown. The assembly will split into (3) parts:



VESALite Enclosure REAR VIEW

IMPORTANT: Diagrams are generalized. Your enclosure will be slightly different!

B Leave buttons accessible?

All buttons are accessible by default. Do you want to:

[Option 1] Allow finger access?

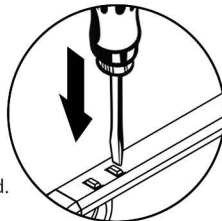
Leave the buttons as-is. Skip to [STEP C]

Proceed to Step C

[Option 2] To disable finger access?

Use the tip of a flat-head screwdriver, press down on a configurable button.

The button will snap off & leave a key hole for tool-only access. Repeat as needed. Then, proceed to [STEP C].



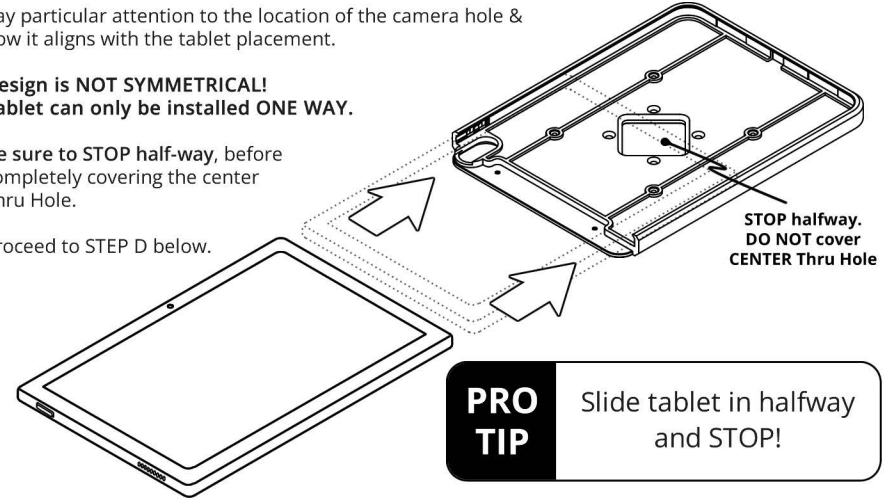
C Slide in Your Tablet

Pay particular attention to the location of the camera hole & how it aligns with the tablet placement.

Design is NOT SYMMETRICAL!
Tablet can only be installed ONE WAY.

Be sure to **STOP half-way**, before completely covering the center Thru Hole.

Proceed to STEP D below.

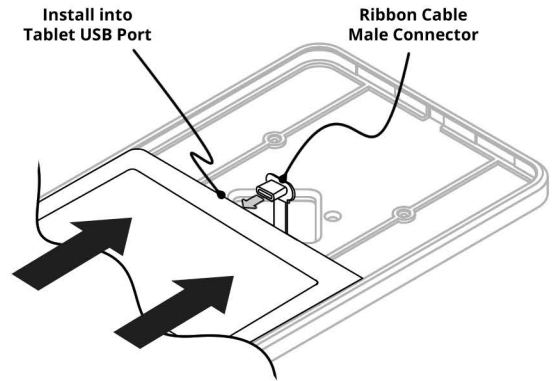


D Install Ribbon Cable into Tablet

With the tablet inserted half-way, install the 90° angle cable thru the center Thru Hole.

Install the 90° connector into the tablet's USB port now.

Once the cable is connected, proceed to STEP E below.



E Complete Tablet Installation

Make sure the ribbon cable isn't connected on the other end - any charging components would be pulled along with the tablet.

Push the tablet the rest of the way, until it is resting against the far end.

Leave Ribbon Cable loose when installing tablet

