

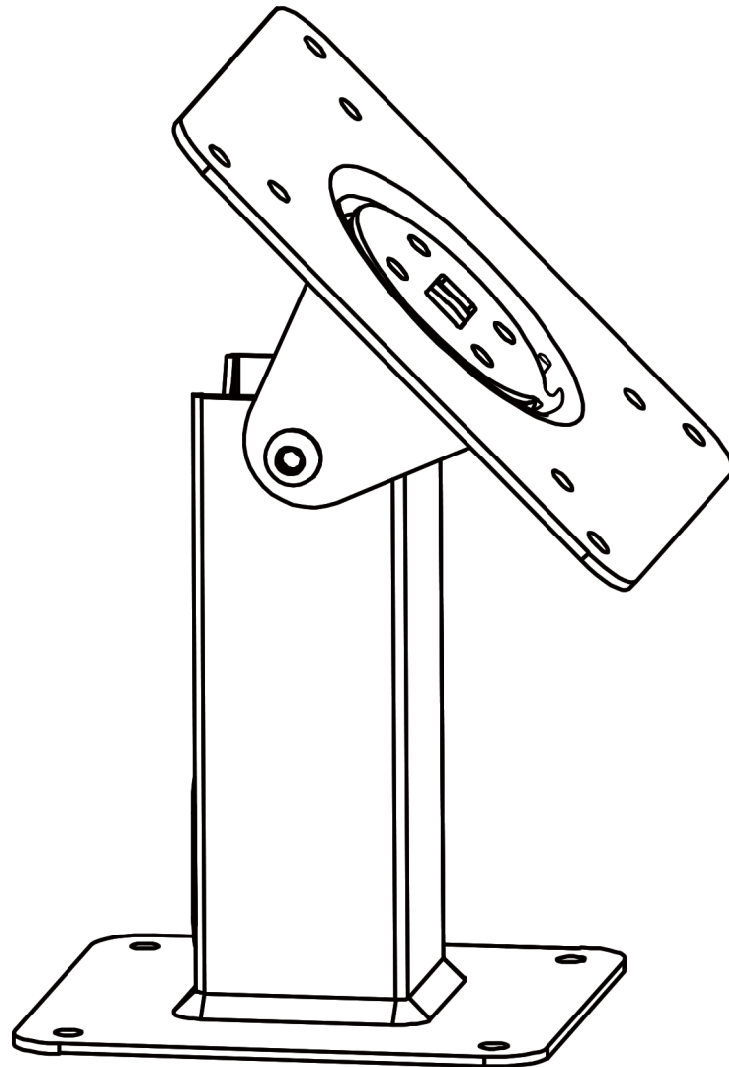
# **INSTALLATION GUIDE**

## **360 Rotating & Tilting VESA Surface Mount**

### **VB\_VESA\_MNT\_360TSUR**

Ideal for VidaMount VESA Tablet Enclosures

**VESA 100x100 & 75x75 compatible**



# Installation Instructions

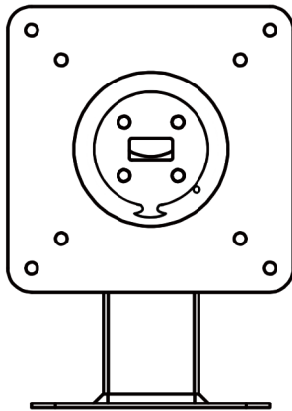
## 360L Tilting Surface Mount : VESA Compatible

### Important Note:

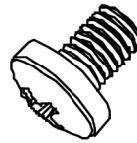
- If charging is desired, please prepare the extension cable and/or charging solution for the VESA tablet. Installing the charging solution / extension cable now will be easier to do than to do it later.
- VESA: 75" x 75" and 100 x 100 (4" x 4") compatible

### Component Checklist:

(1) 360L Tilting  
Surface Mount



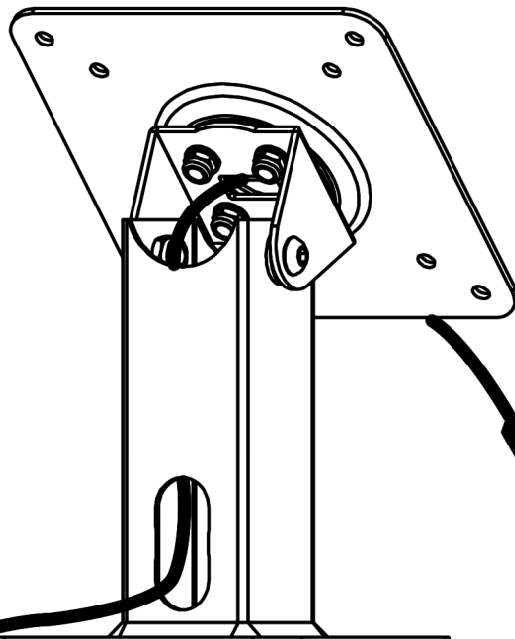
#8 x 1 1/2"  
Wood Screws



(4) M4x8mm  
Short Pan  
Head Screws

### ① Install & route the USB Charging Cable

Decide how the USB charging cable will be run, and route it through the VESA mount.

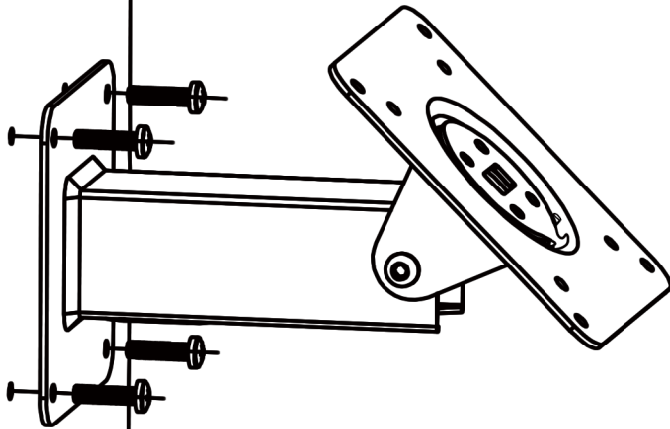


Micro-USB, 30-Pin iOS, Lightning, or  
other tablet charging cable  
(Micro-USB Connector shown)

## ② Secure VESA Mount onto a Flat Surface

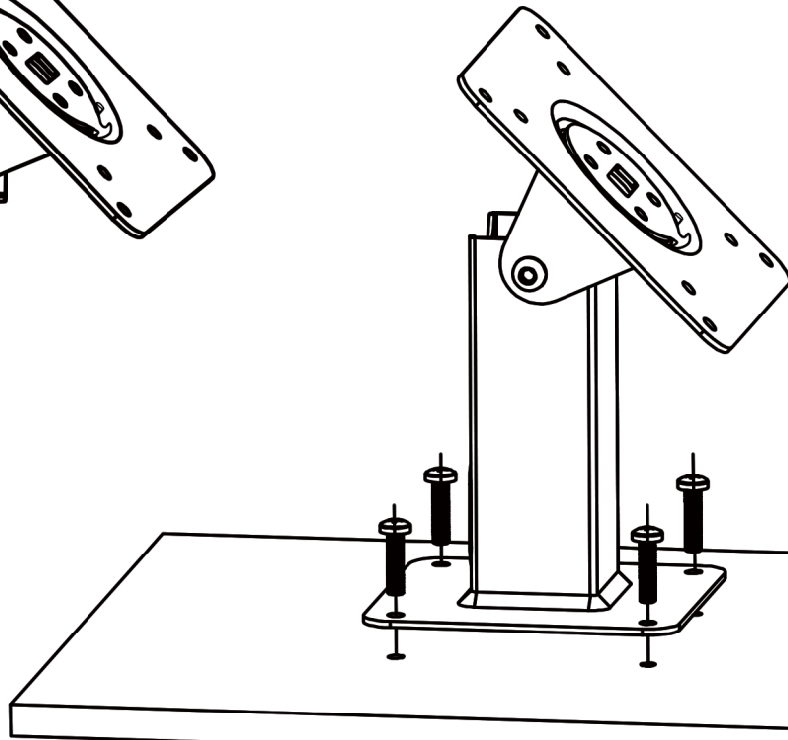
### On-wall Installation

Option A:  
Install (4) #8 x 1 1/2" (or other choice of)  
screws into the fixed portion of the VESA  
mount & onto a wall surface  
(Anchors are required & not included)



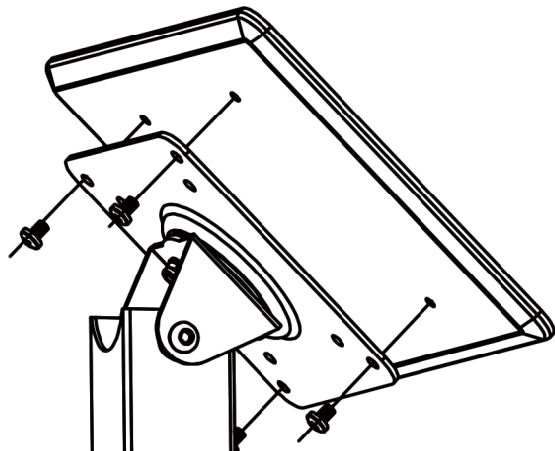
### Table/Desk Installation

Option B:  
Install (4) #8 x 1 1/2" screws into the fixed  
portion of the VESA mount & onto a table  
or desk top (Anchors not included)



## ③ Install the Enclosure

Use the (4) included screws to  
secure the Enclosure onto the  
360L Tilting VESA mount.

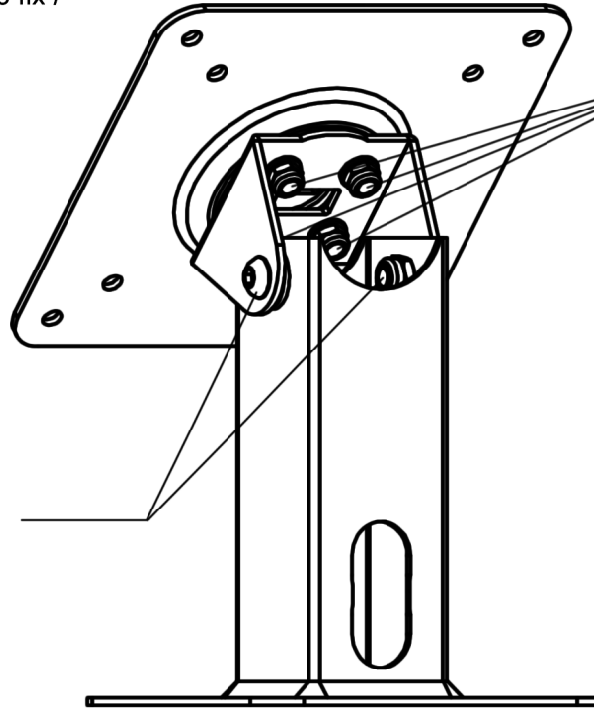


## OPTIONAL: Tighten each hex nut to prevent movement & rotation

If desired, use an Allen wrench to tighten each hex nut to fix / prevent rotation.

(2) Side Hex Nuts:  
Restricts forward & backwards tilting of the enclosure

(4) Hex Nuts,  
(Behind the Enclosure):  
Restricts 360° rotation of the enclosure



## Dimensions / Diagrams

