

Important Note



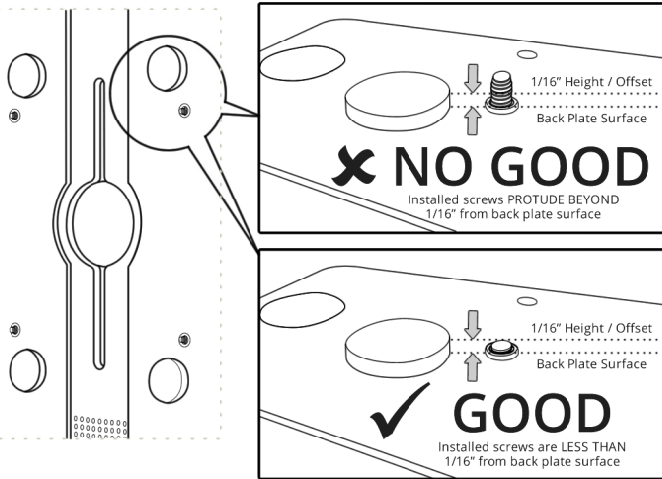
For best results, use VidaMount VESA brackets (from VidaBox) with this enclosure. They have been specifically fitted to work with this item.

Other VESA mounting hardware can only be used after carefully checking the VESA mount screw length (Step F). Too long a screw will crush and damage the tablet!

F Check VESA Screw Length (On non-VidaBox VESA Mounts)

With the VESA screws installed, look on the inside of the back plate.

Check to make sure that the screws **DO NOT PROTRUDE** beyond 1/16" from the back plate surface. See diagrams below.



New, shorter screws will be needed. Using these screws **WILL DAMAGE** the tablet when enclosure is fully assembled!

Proceed to Step G **ONLY** after the screw length is confirmed "Good."

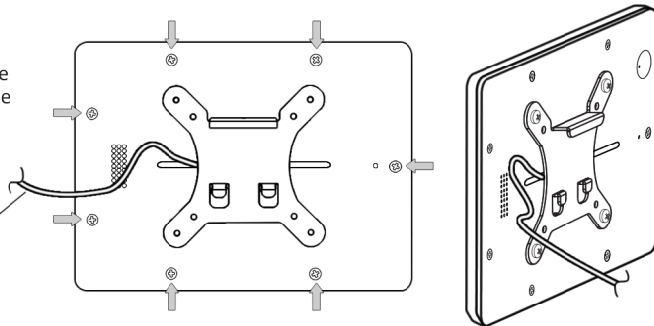
G Reassemble the Enclosure

Reinstall the (8) screws removed in Step A.

Be sure the USB-C cable can be routed out of the enclosure. If not, go back to Step C and cut the grooves needed.

Galaxy Tab
USB-C Cable

The tablet is now securely installed in the enclosure!

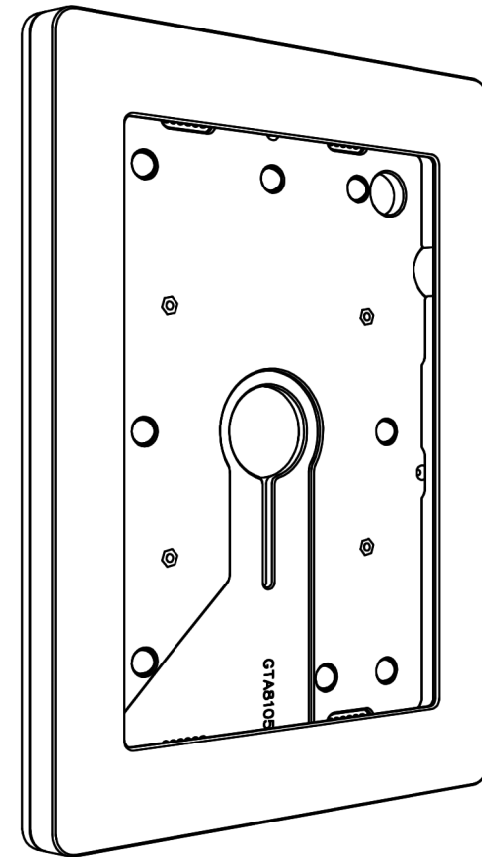


INSTALLATION GUIDE

VidaMount VESA Tablet Enclosure For Samsung Galaxy Tab A9+ 10.9" Tablets Samsung Models: SM-X210, SM-X215, SM-X216

VB_VESA_GTA9P109

Designed to securely enclose Galaxy Tab A9+ 10.9" tablets
Fits Galaxy Tab A9+ 10.9" tablets [SM-X210, SM-X215, SM-X216]
Compatible with VESA 100x100 mounts



US Patent No. 20220205284

[Tablets are shown for illustrative purposes & not included]

 **VIDABOX**
125 Newtown Rd, Ste 100
Plainview, NY 11803 USA

Toll-free US: (844) 4-KIOSKS
Worldwide: +1 516-499-5050
Australia: +61 1300 44 VIDA
EU/UK: +44 333 444 VIDA

Installation Instructions

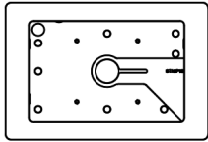
VidaMount VESA Tablet Enclosure - Tab A9+ 10.9"

Important Note



For best results, use VidaMount VESA brackets (from VidaBox) with this enclosure. They have been specifically fitted to work with this item.
Other VESA mounting hardware can only be used after carefully checking the VESA mount screw length (Step F). Too long a screw will crush and damage the Galaxy Tab!

Component Checklist

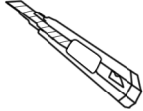


Tab A9+ 10.9" Resin Enclosure
(Already Assembled)

TOOLS YOU'LL NEED (Not Included)



Phillips Head
Screwdriver



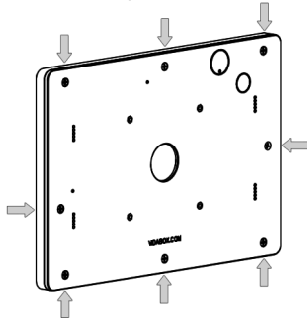
Knife / Box Cutter
(OPTIONAL)

A Disassembling the Enclosure

Remove the flat-head screws as shown. Set aside the loose hardware carefully.

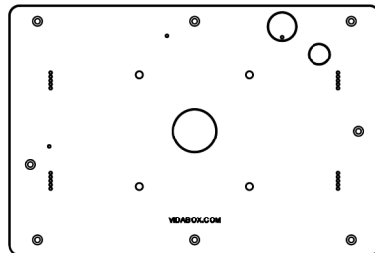
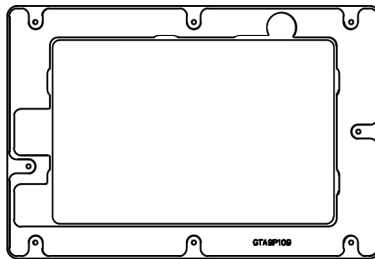
We will need this hardware again later.

We now have (2) pieces:
A. The front face plate
B. The back plate



Tablet Resin Enclosure
REAR VIEW

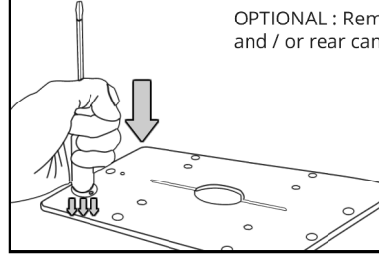
A. FRONT FACE PLATE



B. BACK PLATE

IMPORTANT: Diagrams are generalized. Your exact enclosure may appear slightly different!

B Optional : Remove Knockout (if Needed) For Power Button / Rear Camera Exposure



OPTIONAL : Remove only if access to the power button and / or rear camera is always required.

Using the blunt end of the screwdriver, press down on the circular knockout, as shown.

This will pop out the power button / rear camera access panel.

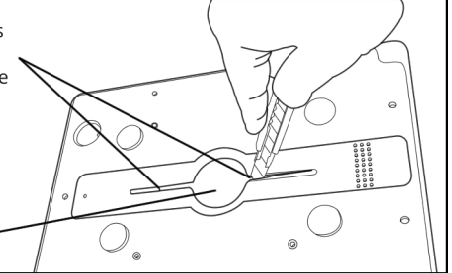
C Optional : Cut Wiring Grooves (if Needed)

OPTIONAL : Remove only if necessary.

If using a VESA mount where the center wiring hole is blocked, use a knife / box cutter, and cut out the grooves.

This will allow the tablet's wires to be routed properly.

Grooves
Can Be
Cut Here



Center
Wiring Hole

D Install Tablet into Front Face Plate

Orient the tablet properly and install it into the front face plate as shown.

Be sure the power button, volume buttons, & USB-C cable ports line up properly.

PRO-TIP
Expect a TIGHT fit
This is BY DESIGN

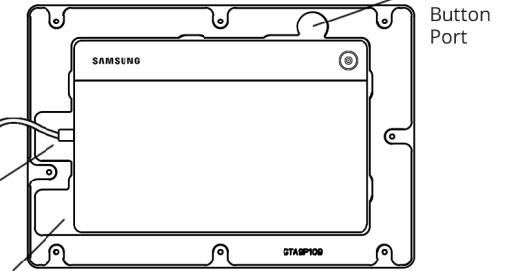
Connect the cable now. It will need to be routed through the center hole in the next steps.

USB-C
Cable

USB-C
Cable Port

3.5mm
Audio Port

Power /
Volume
Button
Port



E Install VESA Mount onto Back Plate

Install the VESA mount onto the back plate.

