

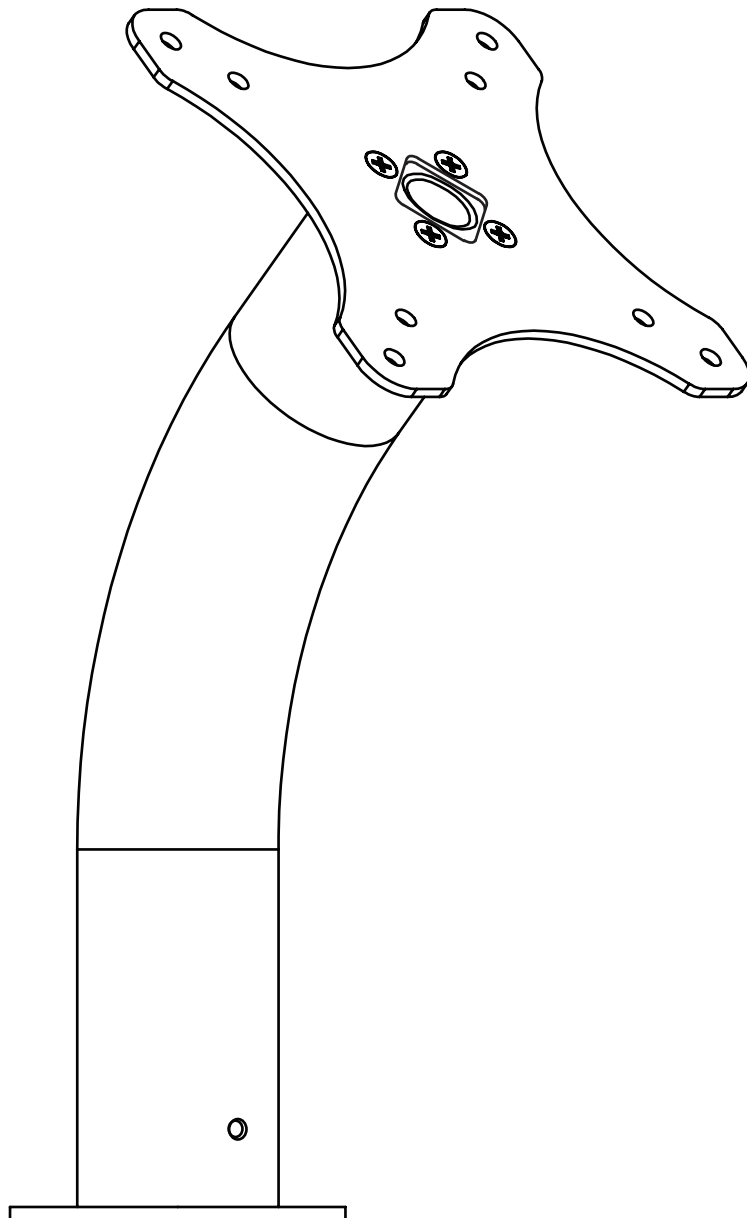
INSTALLATION GUIDE

Fixed Surface VESA VidaMount V2

VB_MNT_FXS2

Ideal for VidaMount VESA Tablet Enclosures

VESA 100x100 & 75x75 compatible



Installation Instructions

Fixed Surface Mount V2 : VESA Compatible

Important Note:

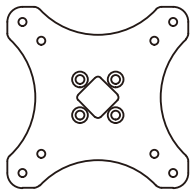
- If charging is desired, please prepare the extension cable and/or charging solution for the VESA tablet first. Installing the charging solution or extension cable will be easier to do now rather than later.
- VESA : 75 x 75 (3" x 3") and 100 x 100 (4" x 4") compatible.

Component Checklist:

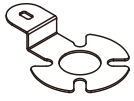


Using this with a VidaMount tablet enclosure?
Before proceeding: Install your tablet & charging cable into the enclosure **FIRST** - as per the included instructions.

FIXED STAND SECTIONS



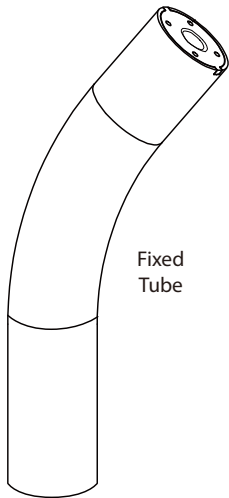
VESA Mounting Plate



Kensington Security Slot Plate (Optional)



Base Plate



Fixed Tube

SCREWS & HARDWARE



(8) M5x8 Philips "Flat-Head" Countersink Screws



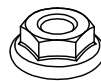
(4) M4x8 Phillips "Button" / Pan Head Screws



(4) M5x50 Socket Head Cap Screw



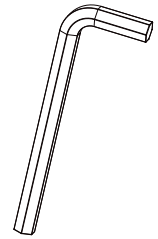
(3) M5x30 Phillips "Flat-head" / Countersink Head Wood Screws



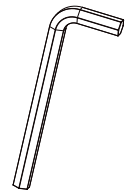
(4) M5 Nuts



(4) M5 Washers



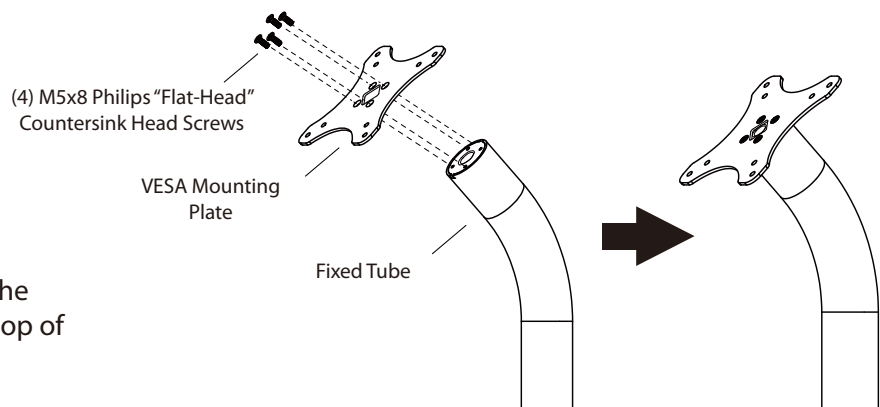
4mm Hex Wrench



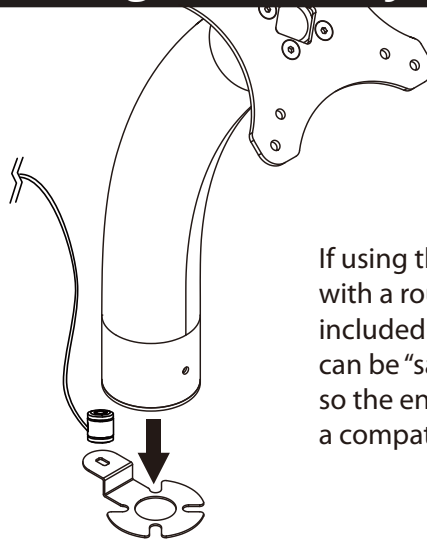
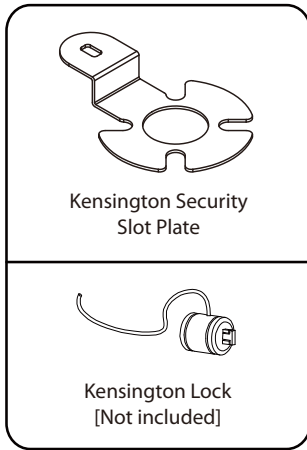
3mm Hex Wrench

① Assemble the Fixed Tube & VESA Mounting Plate

Install (4) M5x8 Philips "Flat-Head" / Countersink Head Screws through the VESA Mounting Plate, and into the top of the Fixed Tube.



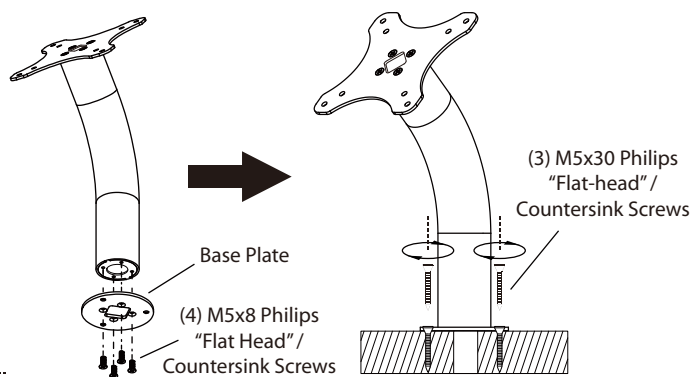
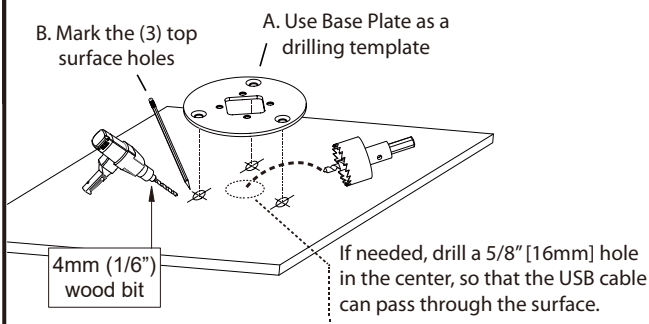
② OPTIONAL : Install Kensington Security Slot Plate



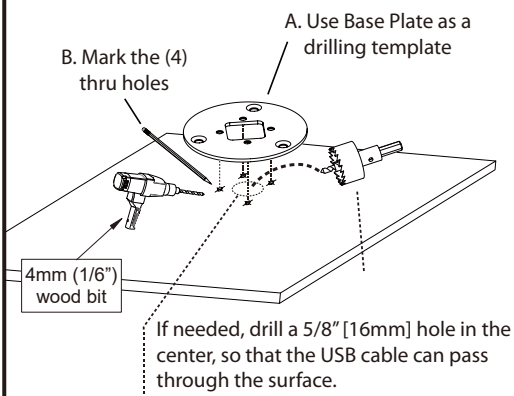
If using the Fixed Surface Mount with a round base plate (BP2), the included Kensington Security Slot Plate can be "sandwiched" or added in between, so the entire assembly can be secured with a compatible Kensington lock [not included].

③ Decide How the Surface Mount Should be Secured

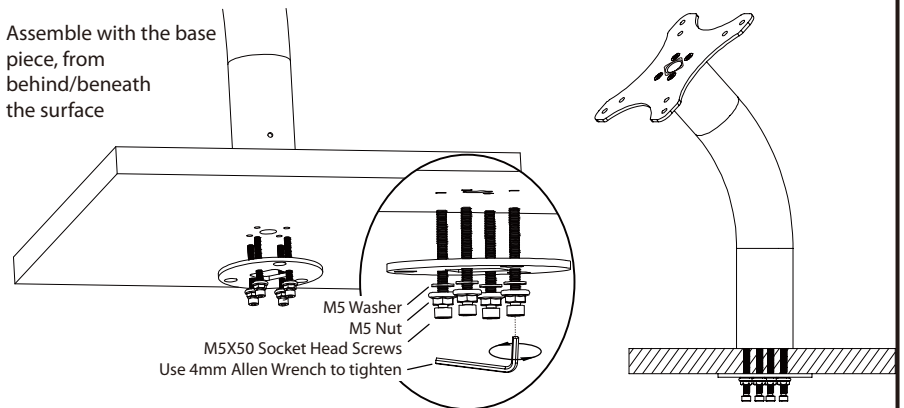
▼ OPTION 1 : On-Surface Mount



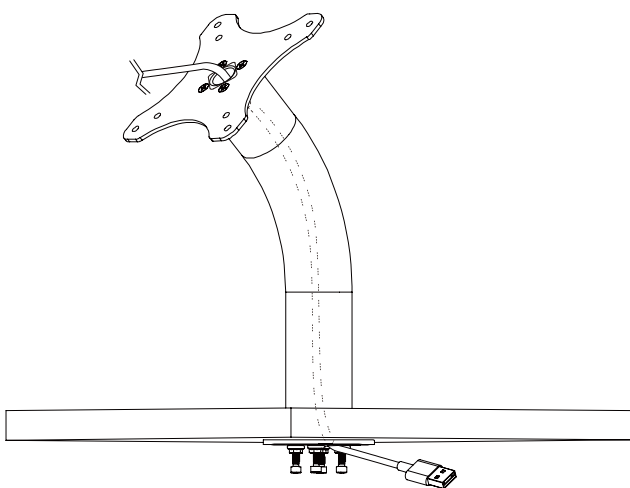
▼ OPTION 2 : Behind-Surface Mount



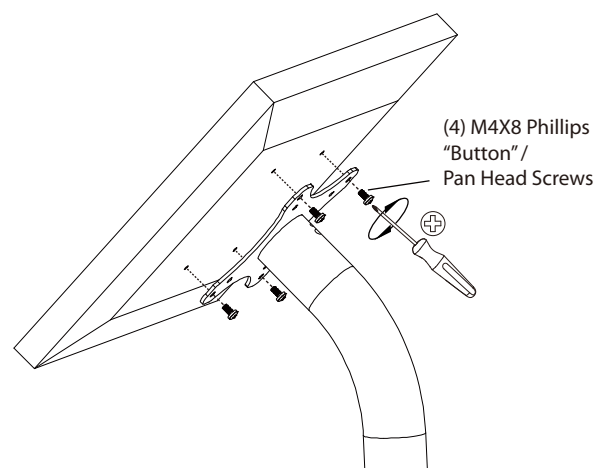
Assemble with the base piece, from behind/beneath the surface



④ Install USB Cable / Wire Run



⑤ Install VESA-Ready Enclosure



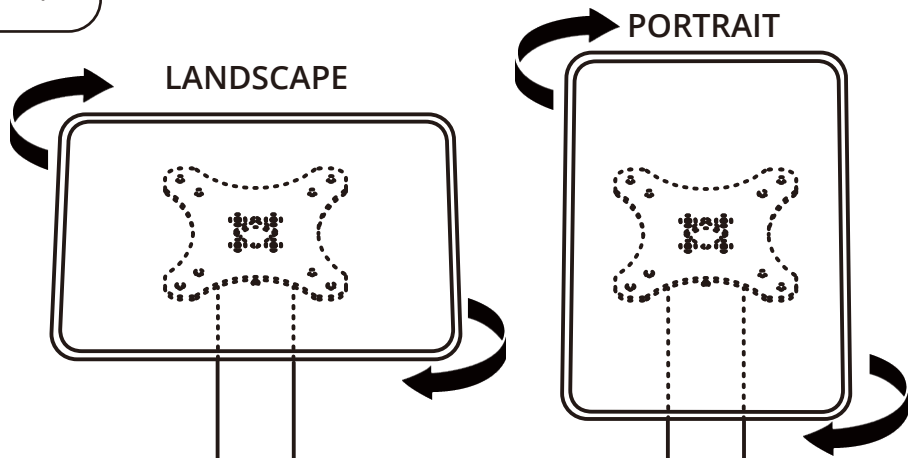
6 Set VESA Device to Portrait or Landscape

Choosing between Portrait and Landscape mode, rotate the VESA mounted device to its ideal position.

? Which position is better for your setup?
LANDSCAPE or **PORTRAIT**?

Hint: The optimal position is usually determined by the app or software being run on the device.

Some apps are optimized for landscape, while other apps are optimized for portrait mode.



7 Affix VESA Device & Fixed Stand to Prevent Rotation

To prevent unintended adjustment:
- between Portrait vs Landscape mode, and
- of the Fixed Stand's display angle

A. Locate the (2) larger set screw holes (see diagrams on right).

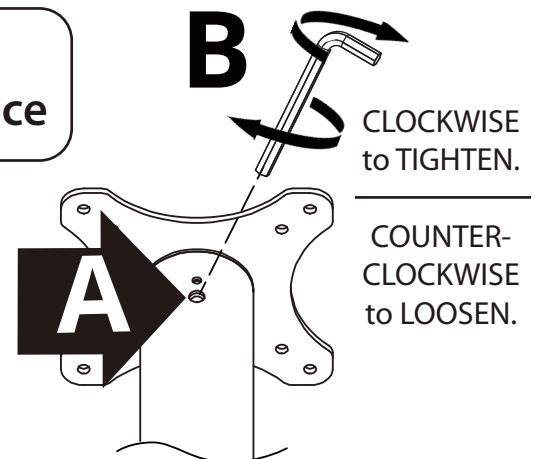
B. Using the 3mm Hex wrench, turn **CLOCKWISE** to **TIGHTEN**.

Hint: To allow re-adjustment, turn **COUNTER-CLOCKWISE** to **LOOSEN**.

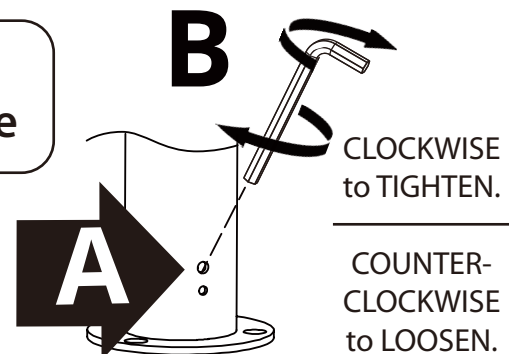
We STRONGLY recommend affixing BOTH the VESA Device and Fixed Stand's Display angle by tightening the set screw.

Reason: Tightening this will prevent potential damage to the USB cable inside of the fixed stand.

Behind VESA Device



Near the Desk / Base



125 Newtown Rd, Ste 100
Plainview, NY 11803 USA

Toll-free US: (844) 4-KIOSKS
Worldwide: +1 516-499-5050
Australia: +61 1300 44 VIDA
EU/UK: +44 333 444 VIDA