

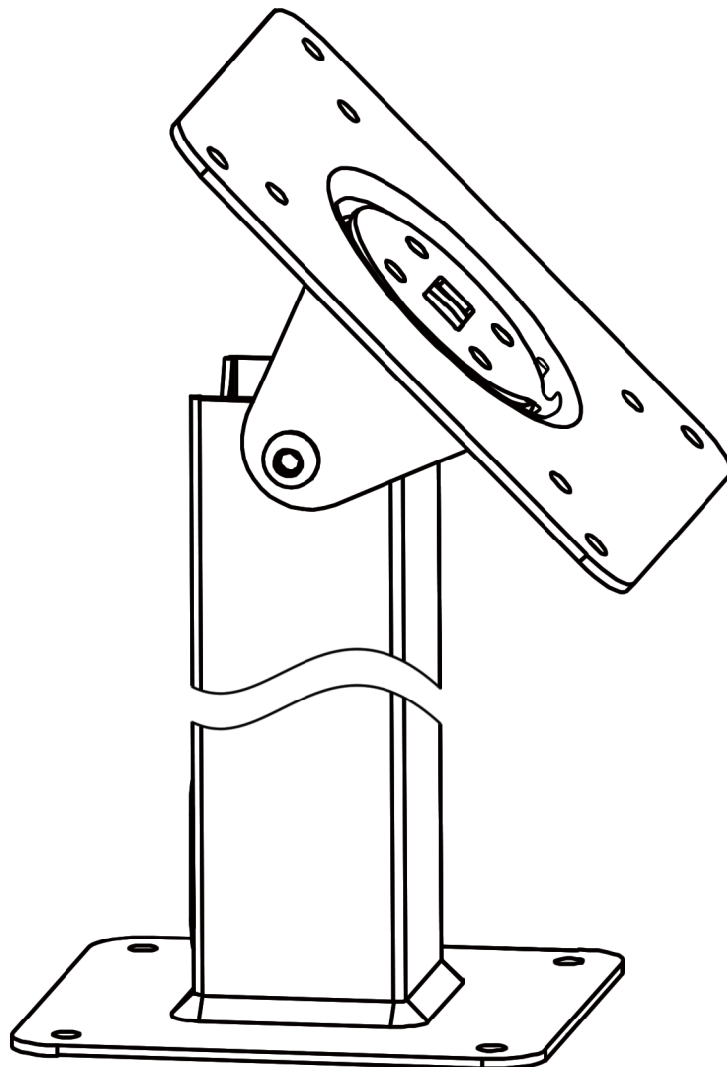
INSTALLATION GUIDE

360 Rotating & Tilting VESA 9" Surface Mount

VB_VESA_MNT_360TSUR9

Ideal for VidaMount VESA Tablet Enclosures

VESA 100x100 & 75x75 compatible



Installation Instructions

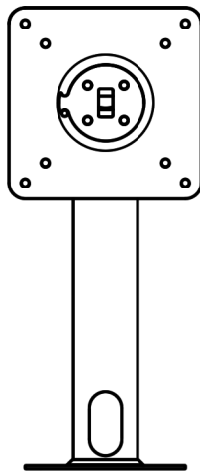
360 Rotating & Tilting Surface Mount : VESA Compatible

Important Note:

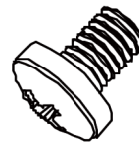
- If charging is desired, please prepare the extension cable and/or charging solution for the VESA tablet. Installing the charging solution / extension cable now will be easier to do than to do it later.
- VESA: 75" x 75" and 100 x 100 (4" x 4") compatible

Component Checklist:

(1) 360 9-inch Tilting Surface Mount



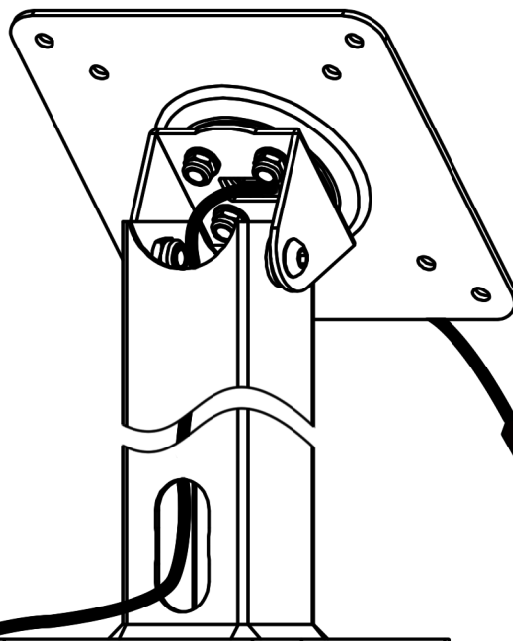
#8 x 1 1/2"
Wood Screws



(4) M4x8mm
Short Pan
Head Screws

① Install & route the USB Charging Cable

Decide how the USB charging cable will be run, and route it through the VESA mount.

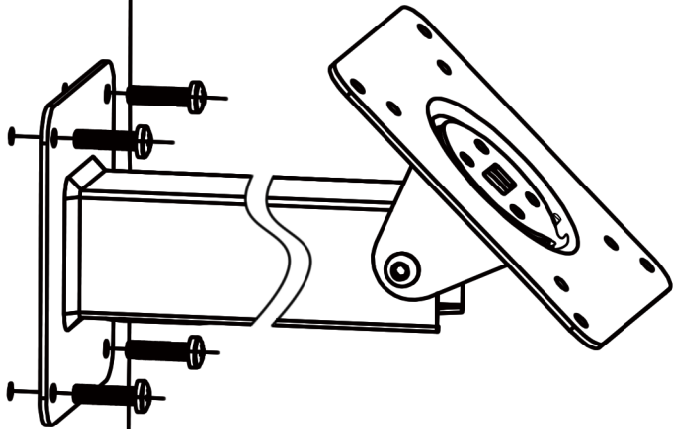


Micro-USB, 30-Pin iOS, Lightning, or
other tablet charging cable
(Micro-USB Connector shown)

② Secure VESA Mount onto a Flat Surface

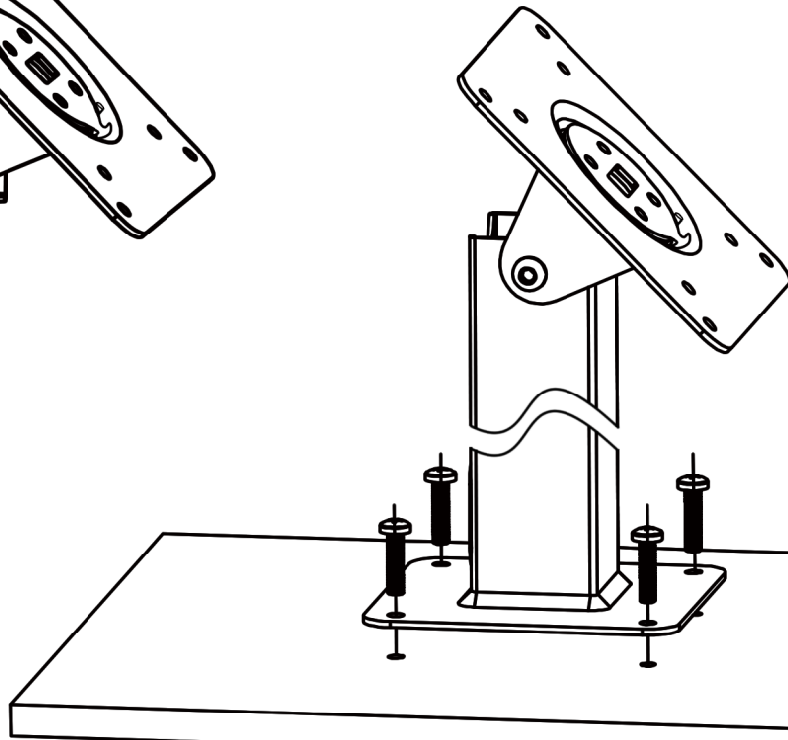
On-wall Installation

Option A:
Install (4) #8 x 1 1/2" (or other choice of)
screws into the fixed portion of the VESA
mount & onto a wall surface
(Anchors are required & not included)



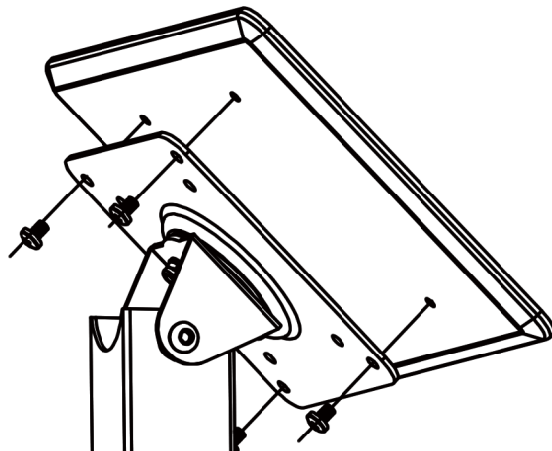
Table/Desk Installation

Option B:
Install (4) #8 x 1 1/2" screws into the fixed
portion of the VESA mount & onto a table
or desk top (Anchors not included)



③ Install the Enclosure

Use the (4) included screws to
secure the Enclosure onto the
360 Rotating & Tilting VESA mount.

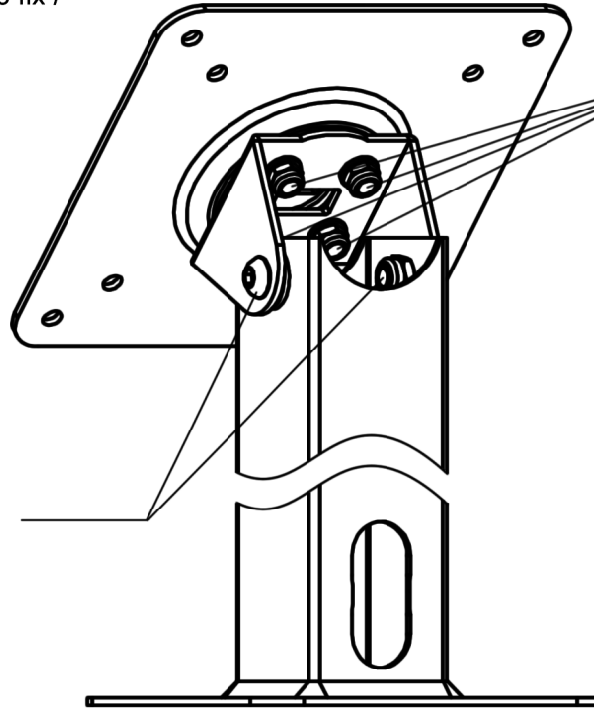


OPTIONAL: Tighten each hex nut to prevent movement & rotation

If desired, use an Allen wrench to tighten each hex nut to fix / prevent rotation.

(2) Side Hex Nuts:
Restricts forward & backwards tilting of the enclosure

(4) Hex Nuts,
(Behind the Enclosure):
Restricts 360° rotation of the enclosure



Dimensions / Diagrams

