

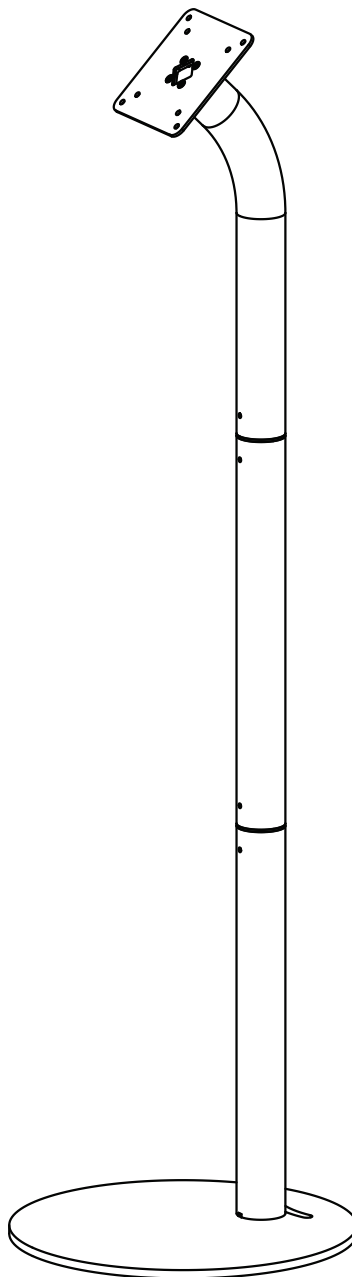
# INSTALLATION GUIDE

## Fixed VESA Floor Stand

**VB\_VESA\_ST\_FF**

Ideal for VidaMount VESA Tablet Enclosures

**VESA 100x100 & 75x75 compatible**



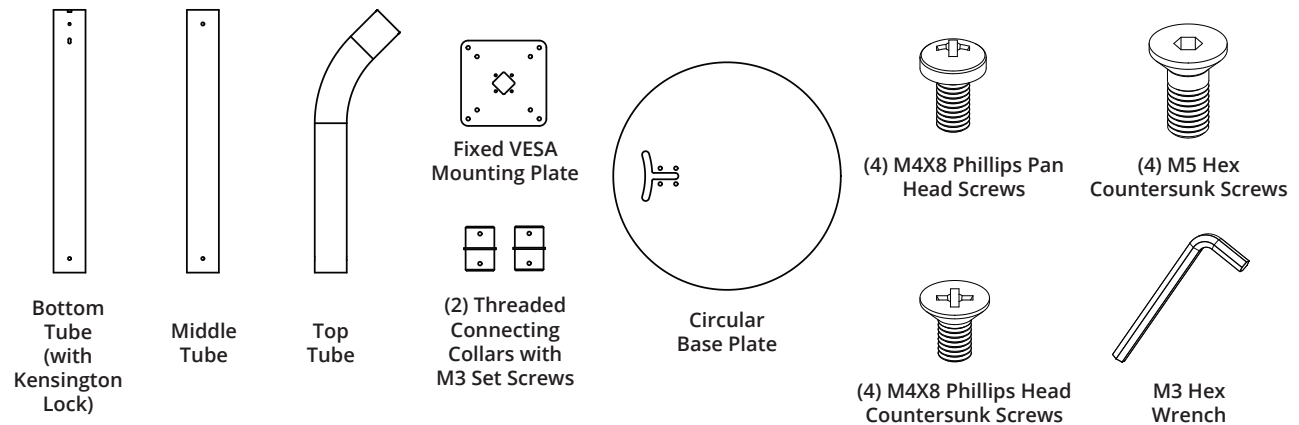
# Installation Instructions

## Fixed Floor Stand : VESA Compatible

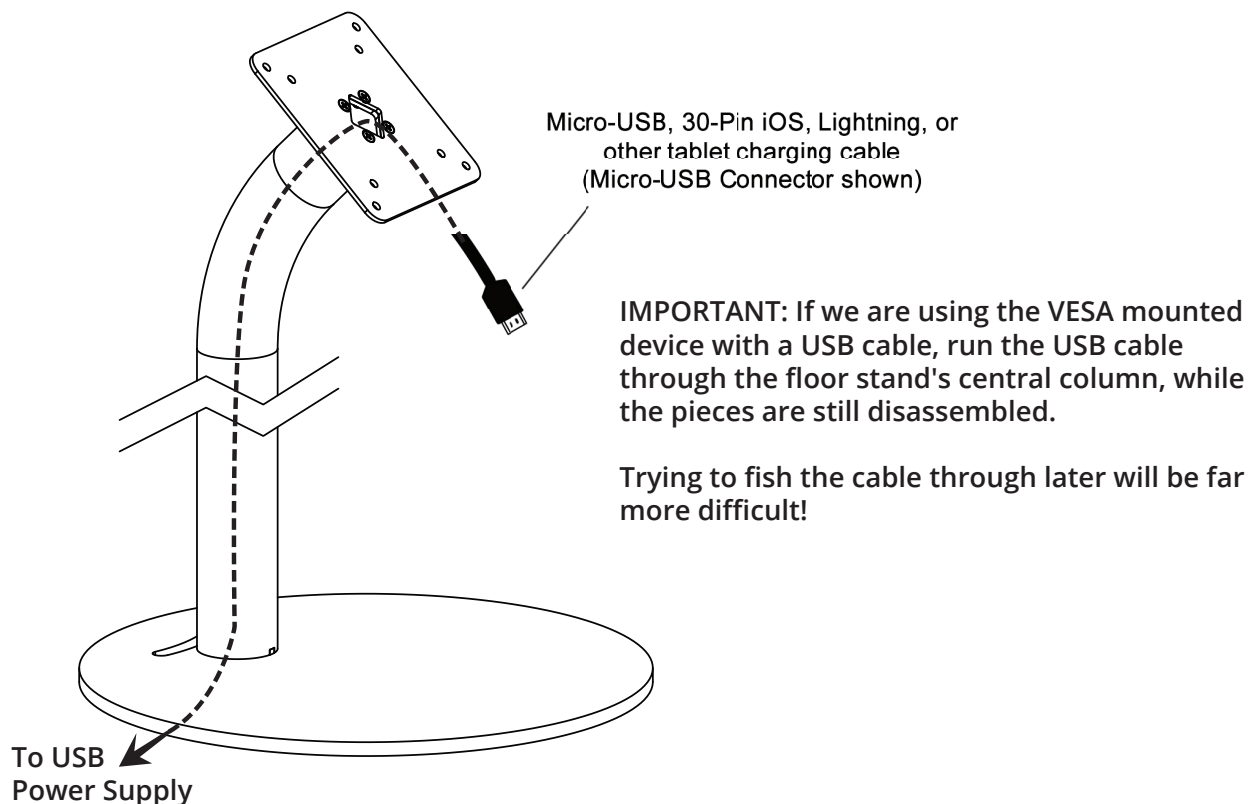
### Important Note:

- If charging is desired, please prepare the extension cable and/or charging solution for the VESA tablet first. Installing the charging solution / extension cable will be easier to do now than it will be to do later.
- VESA : 75 x 75 (3" x 3") and 100 x 100 (4" x 4") compatible.

### Component Checklist:



### ① Install & route the USB Charging Cable



## ② Assemble the Floor Stand

M4X8 Phillips  
Countersunk  
Screws

VESA Plate

Top Tube

Threaded  
Connecting Collars  
with M3 Set Screws

Middle Tube

Threaded  
Connecting Collars  
with M3 Set Screws

Bottom Tube

Circular  
Base Plate

(4) M5 Hex  
Countersunk Screws

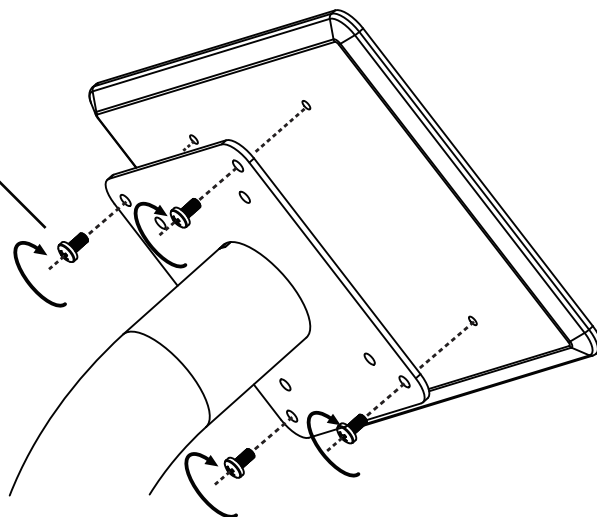
Tighten w.  
any  
screwdriver

Tighten w.  
included  
M3 Hex Wrench

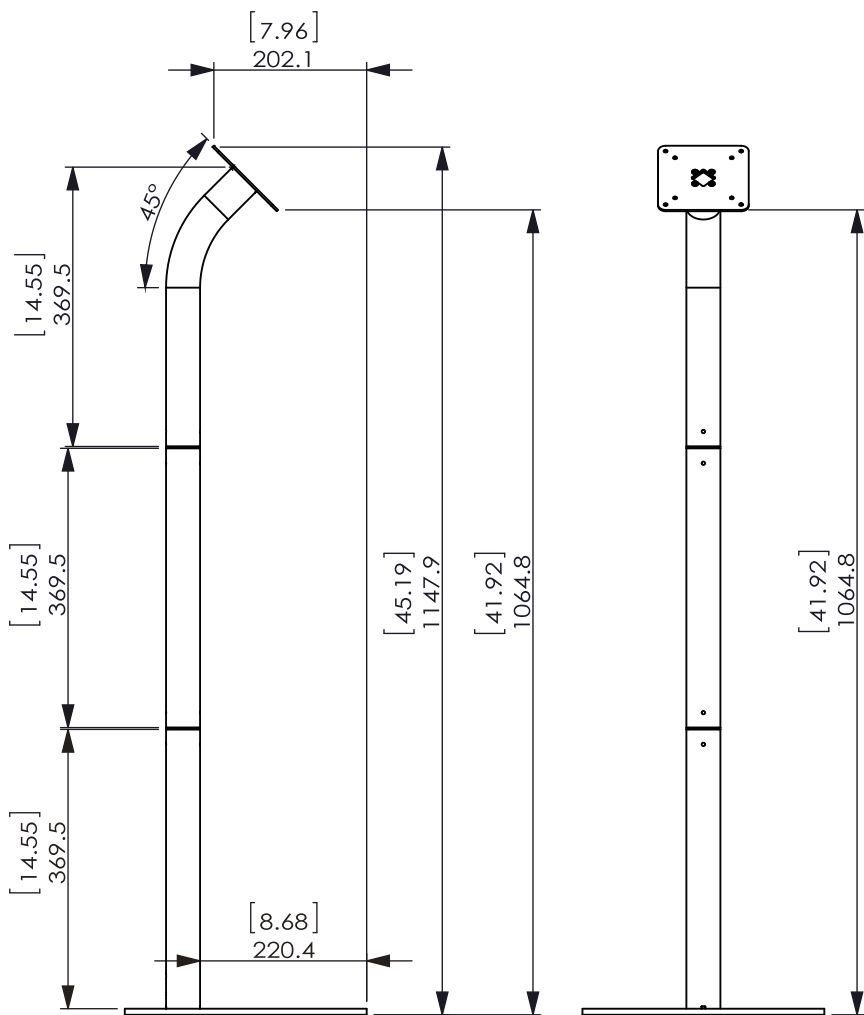
Tighten w.  
included  
M3 Hex Wrench

## ③ Mount the VESA Compatible Device

Using the (4) M4X8 Phillips Head  
Countersunk Screws, mount the  
VESA compatible device onto the  
floor stand as shown.

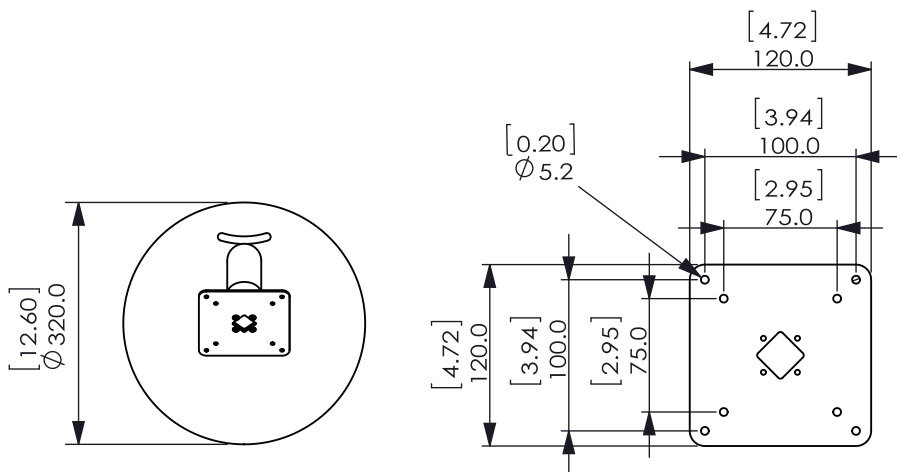


# Reference Dimensions & Diagrams



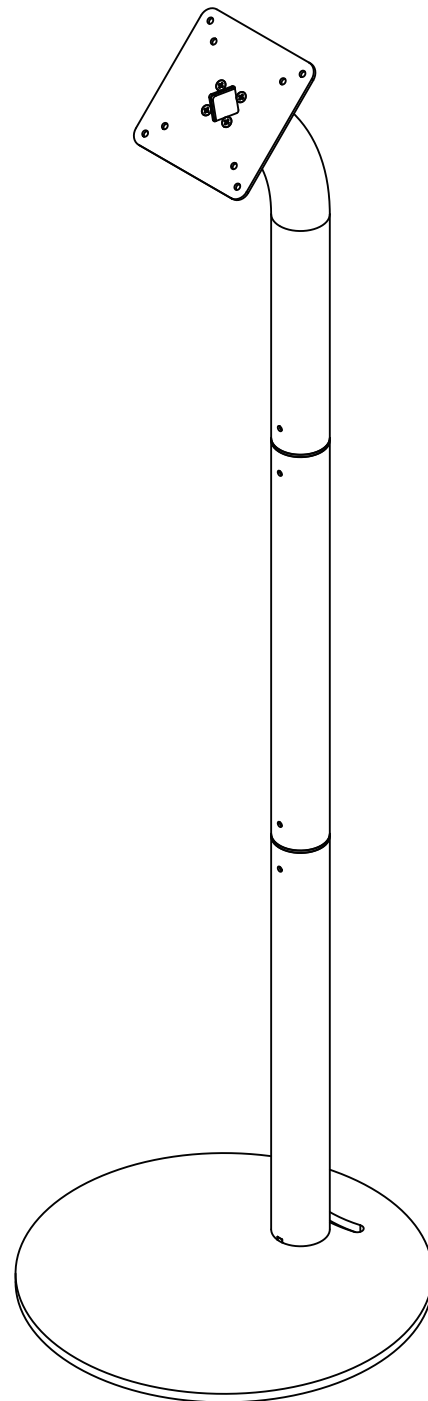
Side View

Front View



Top View

VESA Compatible Mounting Plate



Isometric View