

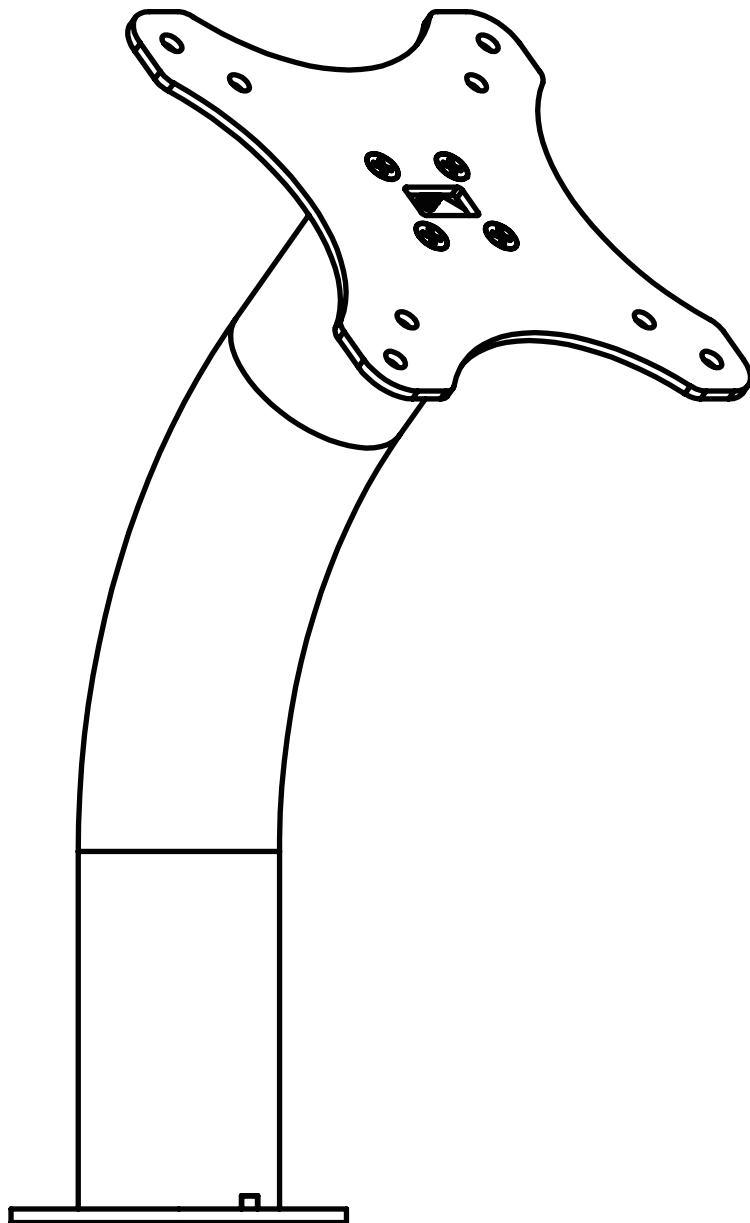
# INSTALLATION GUIDE

## Fixed Surface VidaMount

### VB\_VESA\_MNT\_FXS

Ideal for VidaMount VESA Tablet Enclosures

**VESA 100x100 & 75x75 compatible**



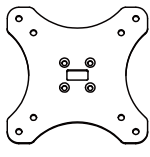
# Installation Instructions

## Fixed Surface Mount : VESA Compatible

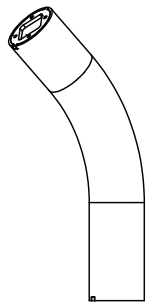
### Important Note:

- If charging is desired, please prepare the extension cable and/or charging solution for the VESA tablet first. Installing the charging solution / extension cable will be easier to do now than it will be to do later.
- VESA : 75 x 75 (3" x 3") and 100 x 100 (4" x 4") compatible.

### Component Checklist:



VESA Mounting Plate



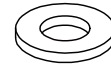
Fixed Tube



(8) M4x12 Philips "Flat-Head" Countersink Screws



(4) M4x8 Phillips "Button" / Pan Head Screws



(4) M4 Washers



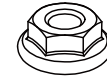
Base Plate



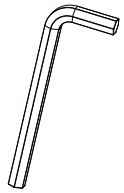
(4) M4x50 Socket Head Cap Screw



(3) M5x30 Philips "Flat-head" / Countersink Head Wood Screws



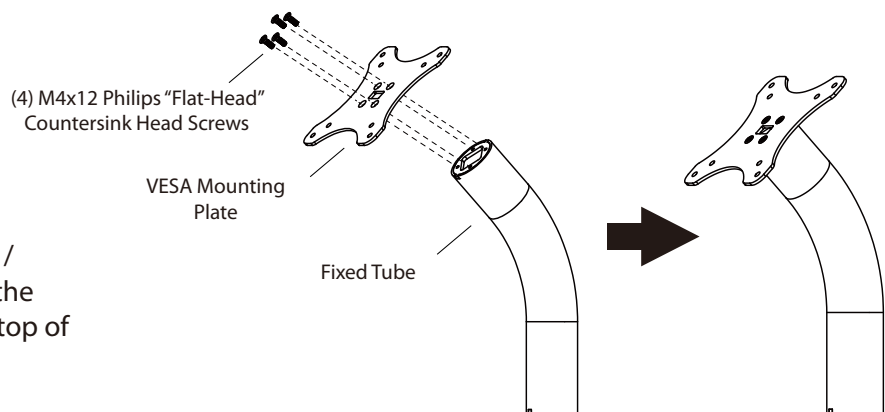
(4) M4 Nuts



M3 Hex Wrench

## ① Assemble the Fixed Tube & VESA Mounting Plate

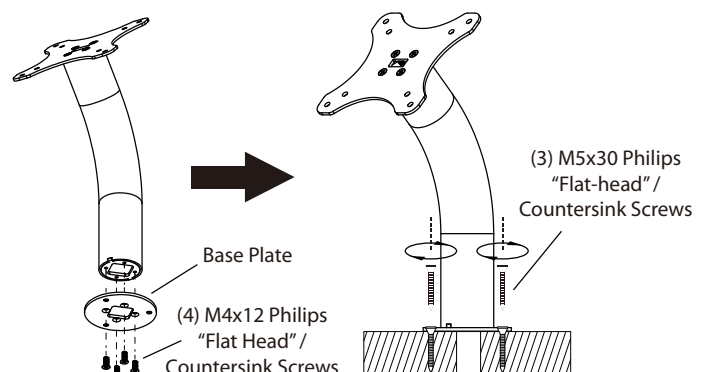
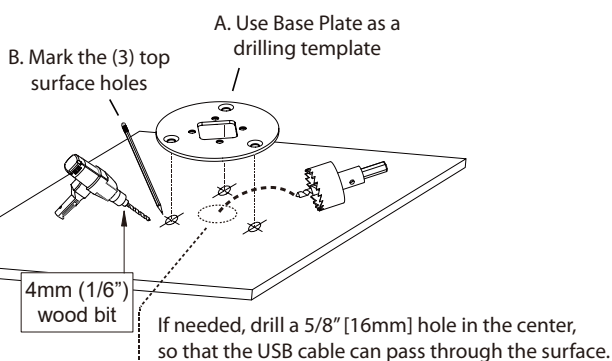
Install (4) M4x12 Philips "Flat-Head" / Countersink Head Screws through the VESA Mounting Plate, and into the top of the Fixed Tube.



## ② Decide how the surface mount should be secured

### OPTION 1 : On-Surface Mount

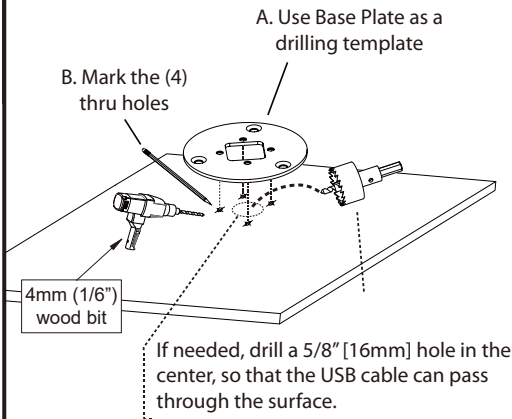
IMPORTANT: Mounting surface thickness cannot exceed 2.5"



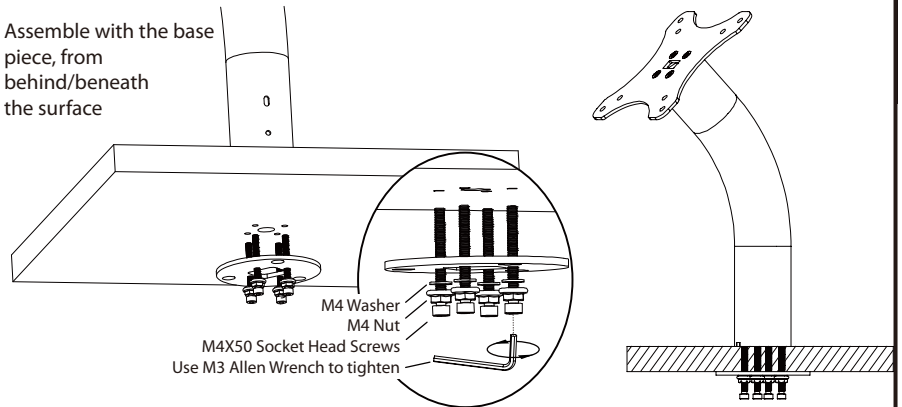
## [Continued] ② Decide how the surface mount could be secured

### OPTION 2 : Behind-Surface Mount

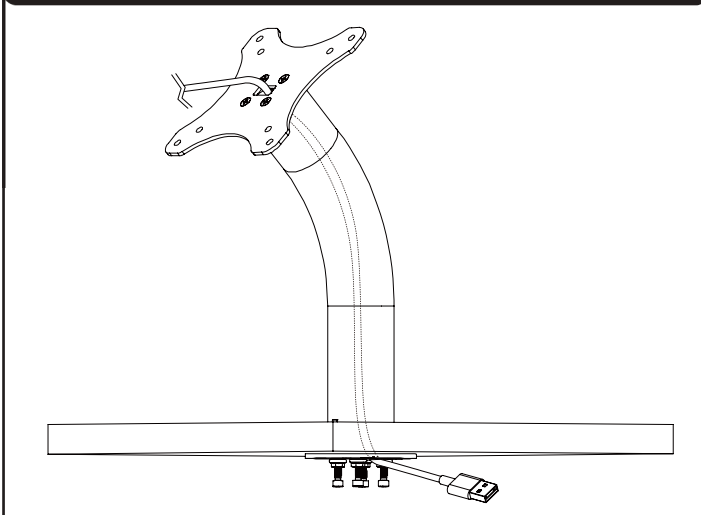
IMPORTANT: Mounting Surface thickness cannot exceed 2.5"



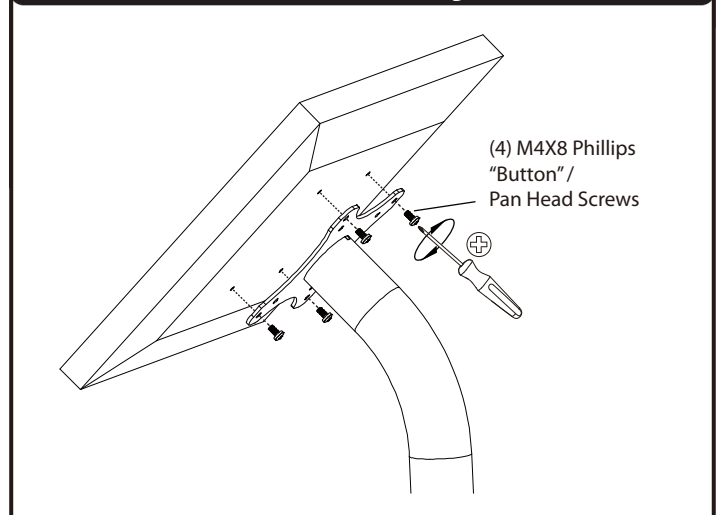
Assemble with the base piece, from behind/beneath the surface



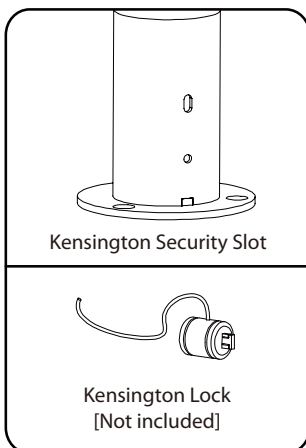
## ③ Install USB Cable / Wire Run



## ④ Install VESA-Ready Enclosure



## ⑤ OPTIONAL : Install Kensington Lock



If using the Fixed Surface Mount with a round base plate, or for additional security, one may wish to use the built-in Kensington security slot with a compatible Kensington lock [not included].

