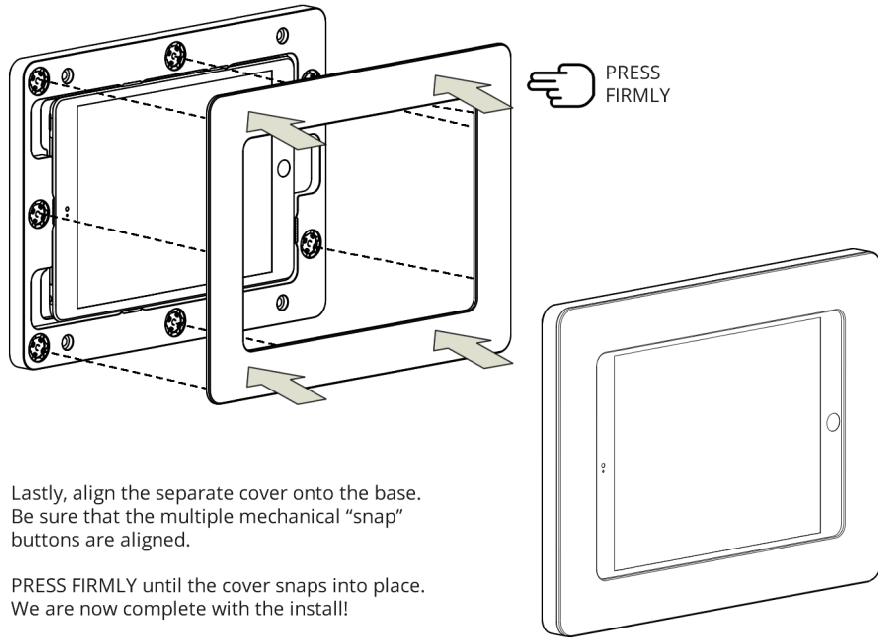


### G Install "Cover" Piece onto "Base"



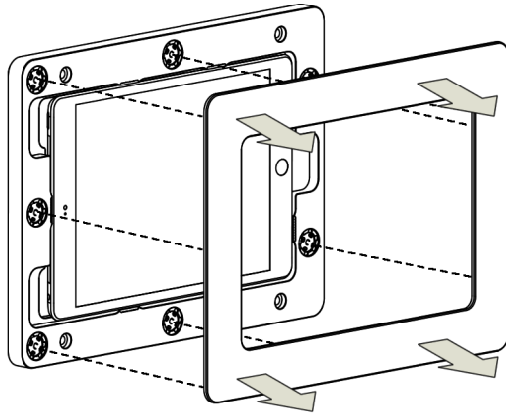
Lastly, align the separate cover onto the base. Be sure that the multiple mechanical "snap" buttons are aligned.

PRESS FIRMLY until the cover snaps into place. We are now complete with the install!

### H To Access the Installed Tablet / Remove "Cover"

To remove the cover, simply apply pressure onto the edges of the cover, and lift away from the base.

The multiple mechanical snaps will release the cover, allowing the tablet to be accessible.

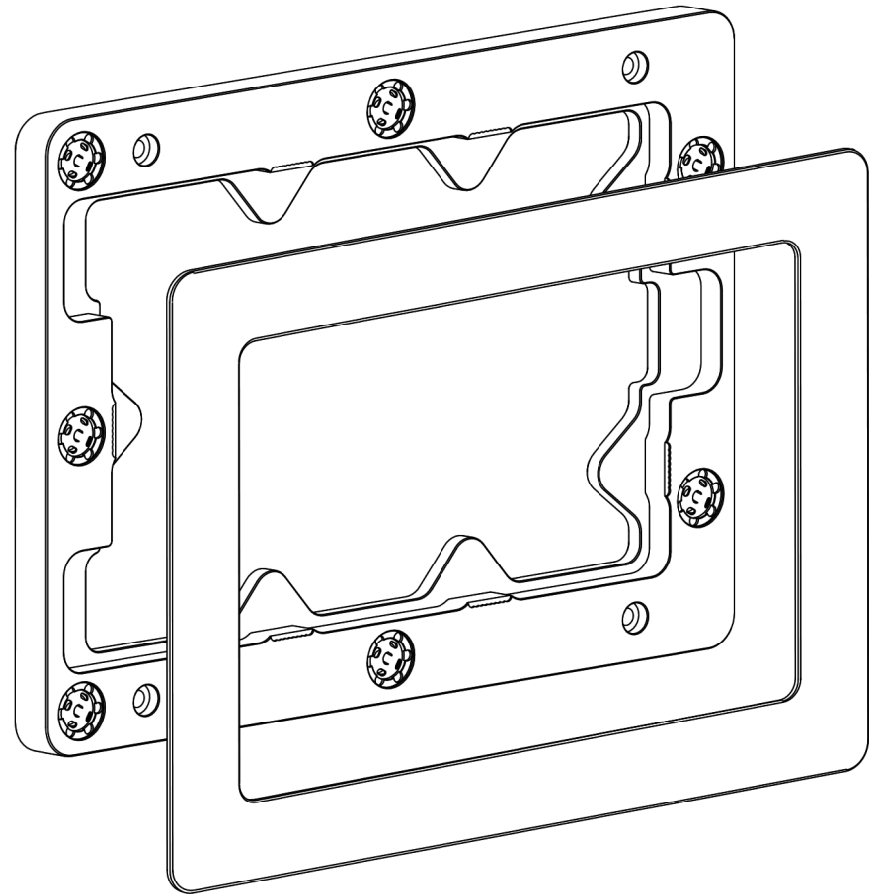


# INSTALLATION GUIDE

## VidaMount On-Wall Slim Tablet Mount

### VB\_OWL

Direct wall mount design with easy tablet access  
Includes (1) cover & (1) base piece to mount tablets onto walls



NOTE: Appearance will vary, depending on tablet model.

# Installation Instructions

## VidaMount On-Wall Slim Tablet Mount

### Important Note

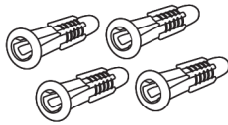
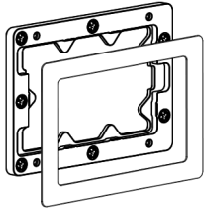


This kit includes the BASE + COVER of the wall-mount enclosure. Appearance and size of the BASE + COVER will vary, to match your tablet. The only tablet that will fit this enclosure is the tablet it is designed for. The enclosure is custom fitted and it cannot fit other tablet models!

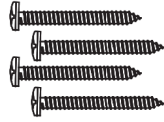
### Component Checklist

VidaMount On-Wall Mount (Base + Cover)

[Note: Part appearance will vary, depending on the tablet model]

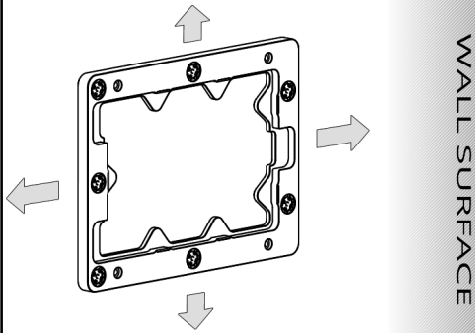


(4) Wall Anchors



(4) Button Head Wall Screws

### A Position the On-Wall "Base" Piece

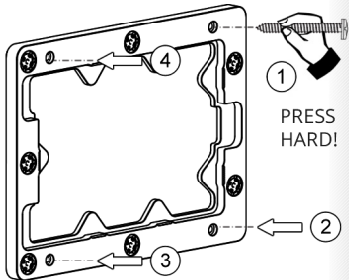


Place the BASE piece onto the wall, where we plan to permanently affix it.

Be sure you are happy with its position before proceeding further.

DO NOT AFFIX / INSTALL IT ONTO THE WALL YET.

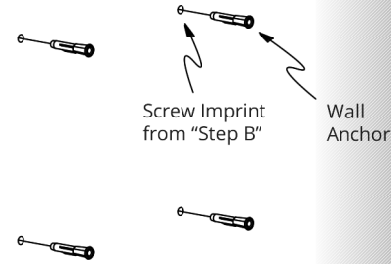
### B Mark Anchor Positions with a Wall Screw



With the BASE piece positioned where you'd like it to be installed, take one of the included wall screws, and use it to mark the (4) anchor locations.

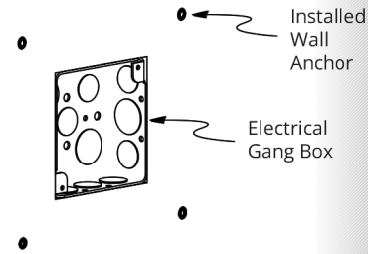
Push the screw FIRMLY into the (4) anchor positions so that an imprint is left on the wall.

### C Install Wall Anchors



With the (4) anchor positions marked, install the (4) included wall anchors.

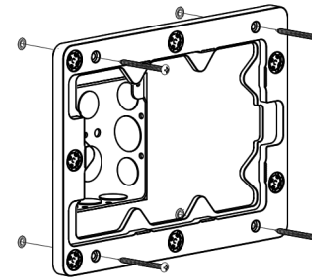
### D Optional : Install Gang Box



OPTIONAL:

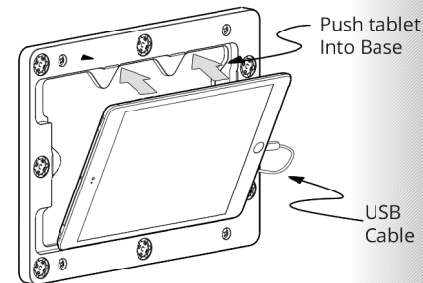
To provide space for charging hardware (such as our VidaPower adapter), please install a gang box into the center of the (4) anchor locations.

### E Install "Base" Piece onto the Wall



Using the (4) included button head wall screws, install the BASE piece onto the wall now.

### F Connect Power, Install Tablet into Base



OPTIONAL: If a power solution is in place, connect the power solution now to confirm it's working.

Afterwards, install the tablet into the BASE piece, as shown on the left.