

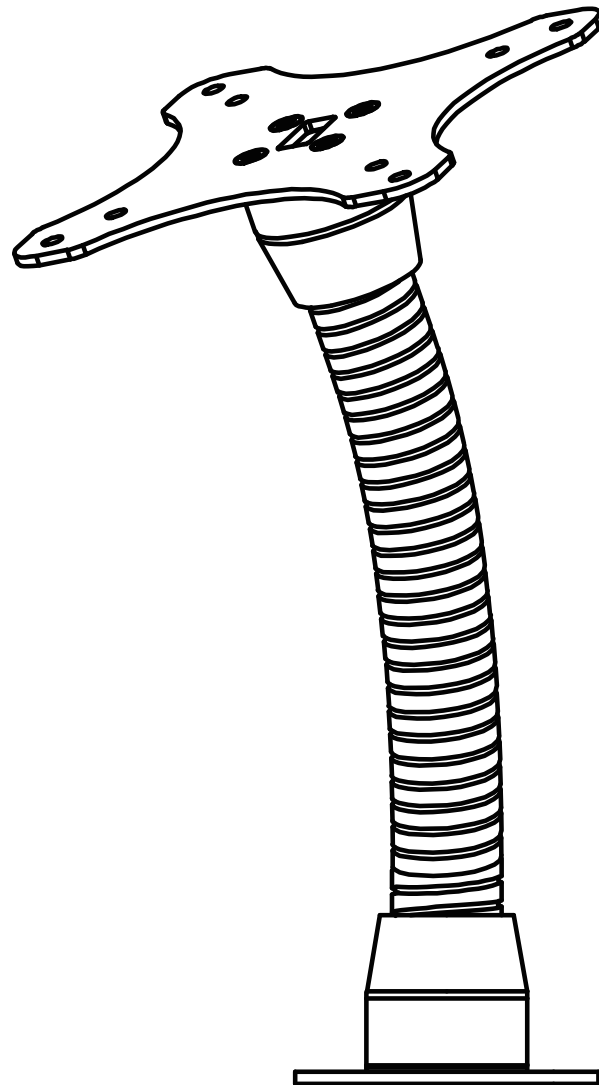
INSTALLATION GUIDE

Flexible Surface VidaMount

VB_VESA_MNT_FLX

Ideal for VidaMount VESA Tablet Enclosures

VESA 100x100 & 75x75 compatible



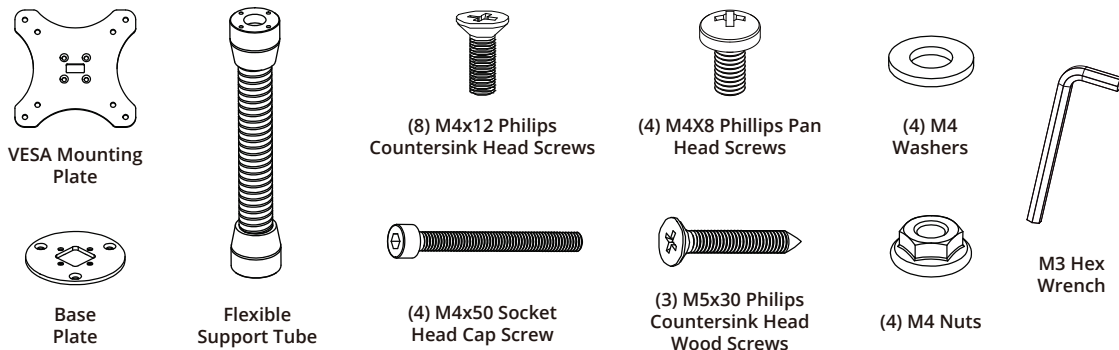
Installation Instructions

Flexible Surface Mount : VESA Compatible

Important Note:

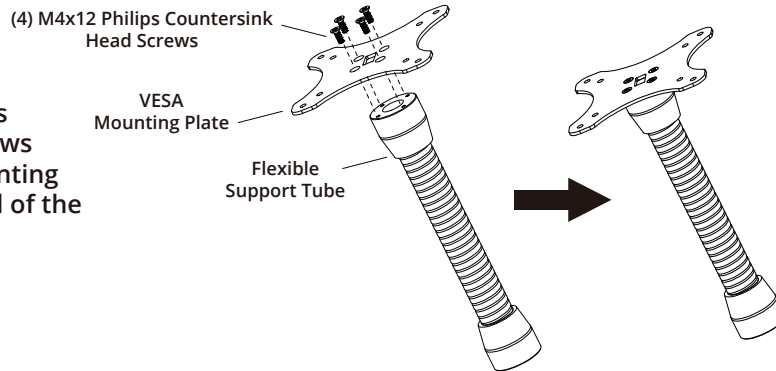
- If charging is desired, please prepare the extension cable and/or charging solution for the VESA tablet first. Installing the charging solution / extension cable will be easier to do now than it will be to do later.
- VESA : 75 x 75 (3" x 3") and 100 x 100 (4" x 4") compatible.

Component Checklist:



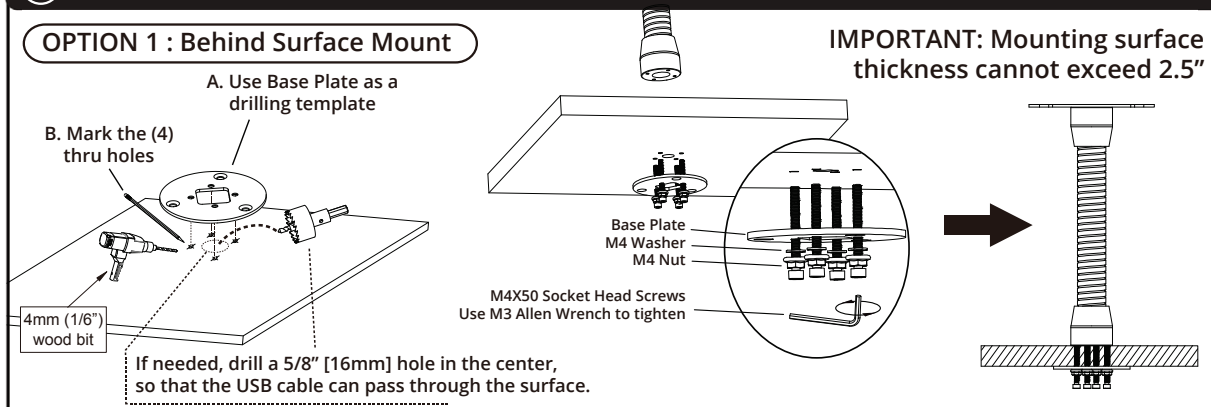
① Assemble the Flexible Support Tube & VESA Mounting Plate

Install (4) M4x12 Philips Countersink Head Screws through the VESA Mounting Plate, and into one end of the Flexible Support Tube.



② Decide how the surface mount could be secured

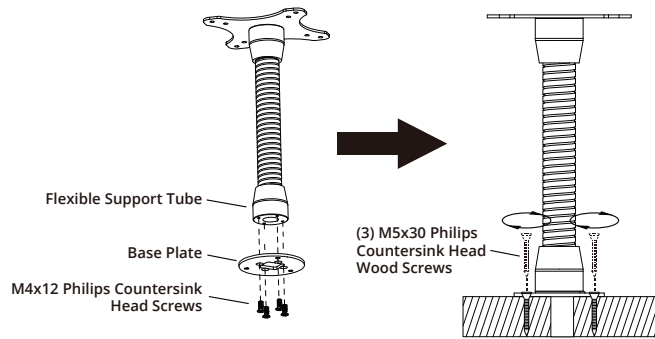
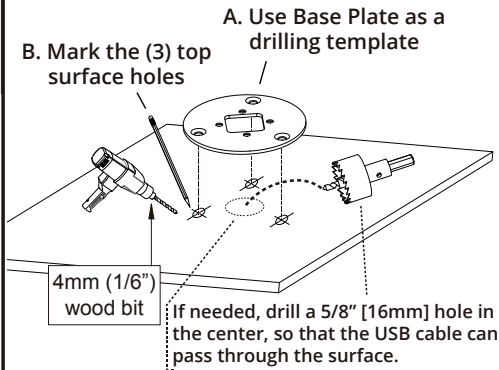
OPTION 1 : Behind Surface Mount



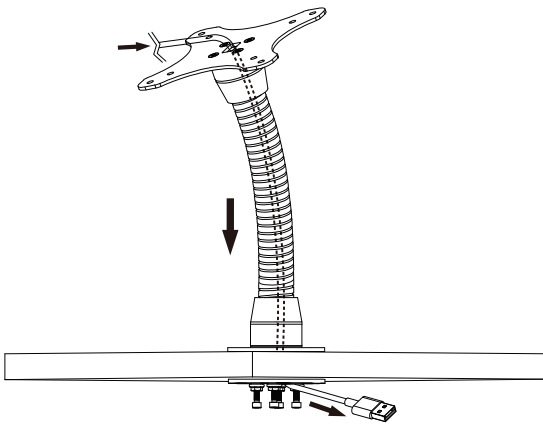
[Continued] ② Decide how the surface mount could be secured

OPTION 2 : On-Surface Mount

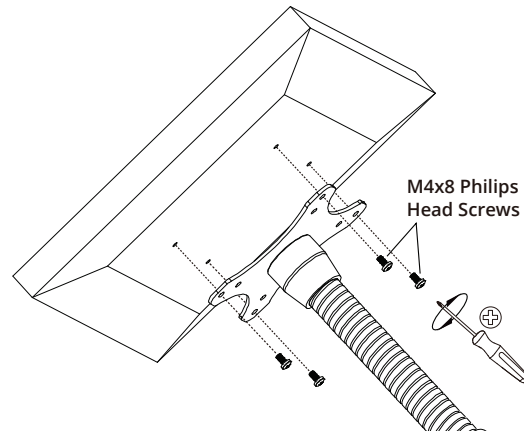
IMPORTANT: Mounting Surface thickness cannot exceed 2.5"



③ Install USB Cable / Wire Run



④ Install VESA-Ready Enclosure



Dimensions / Diagrams

