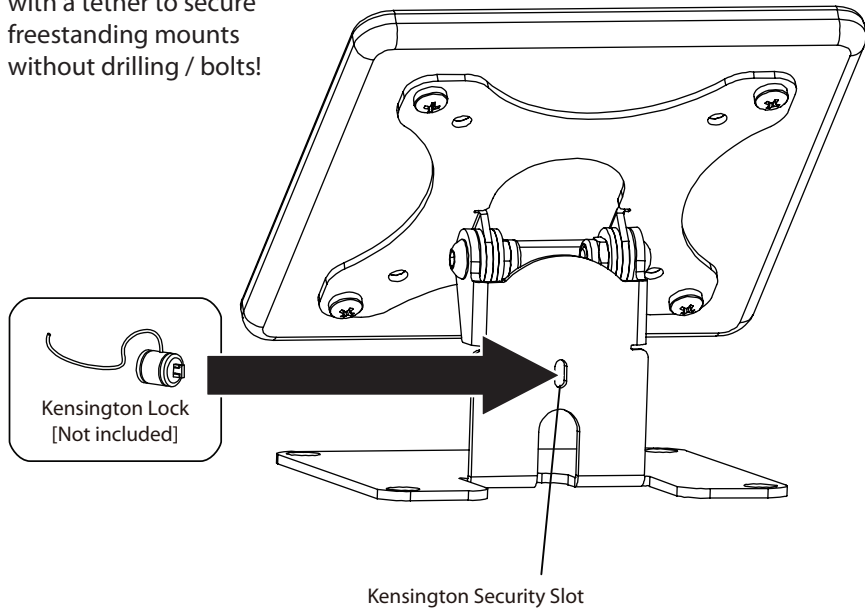


© OPTIONAL / For Security: Add Kensington Lock

Install a Kensington lock with a tether to secure freestanding mounts without drilling / bolts!

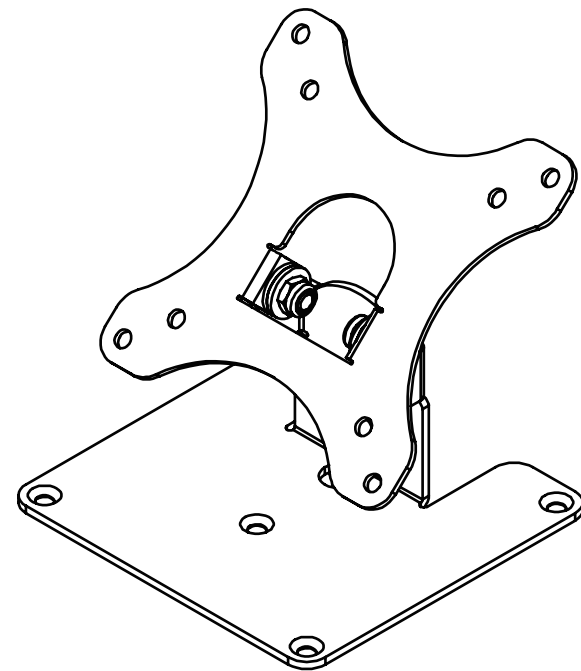


# INSTALLATION GUIDE

## Adjustable Tilt VESA Surface Mount

### VB\_VESA\_MNT\_ATS

Ideal for VidaMount VESA Tablet Enclosures  
**VESA 100x100 & 75x75 Compatible**



 **VIDABOX**  
125 Newtown Rd, Ste 100  
Plainview, NY 11803 USA

Toll-free US: (844) 4-KIOSKS  
Worldwide: +1 516-499-5050  
Australia: +61 1300 44 VIDA  
EU/UK: +44 333 444 VIDA

# Installation Instructions

Adjustable Tilt Surface Mount : VESA Compatible

## Important Note:

- If charging is desired, please prepare the extension cable and/or charging solution for the VESA device / enclosure first. Installing the charging solution / extension cable will be easier to do now - rather than later.
- VESA : 75 x 75mm (3" x 3") and 100 x 100mm (4" x 4") compatible.

## Component Checklist:

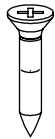


### Using this with a VidaMount tablet enclosure?

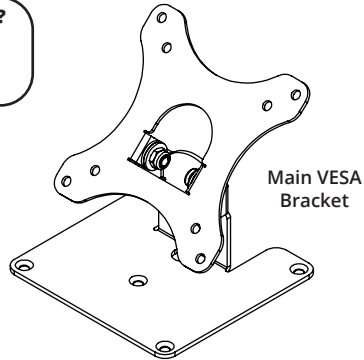
Before proceeding: Install your tablet & charging cable into the enclosure FIRST - as per the included instructions.



Phillips Pan Head Screws  
(4) x M4 x 8mm



Bolt  
(4) x M5 x 30mm

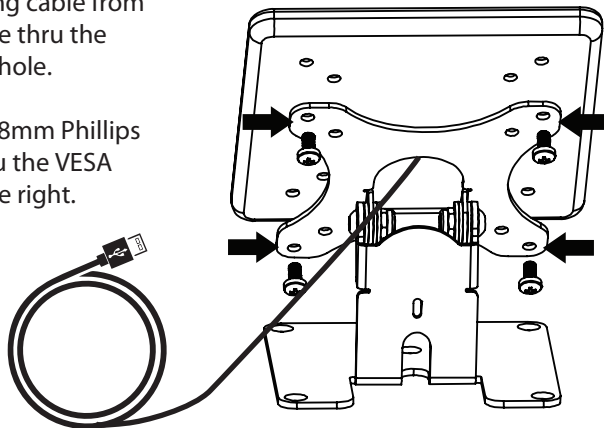


Main VESA  
Bracket

## (A) Mount VESA Device FIRST

First, feed the charging cable from the VESA ready device thru the center exit / clearing hole.

Then, install (4) M4 x 8mm Phillips Pan Head Screws thru the VESA holes as shown on the right.



## WARNING: Do this FIRST!

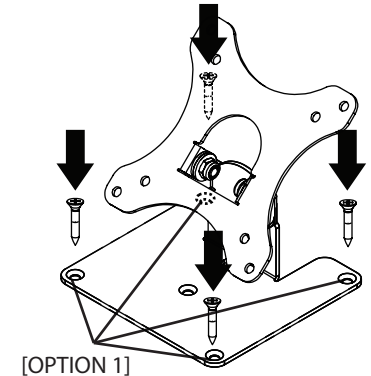
If the bracket is mounted onto a desk or surface first, you'll need a VERY short screw driver to complete this step later, due to interference issues.



## (B) Question: Rotating, Fixed, or Free Standing?

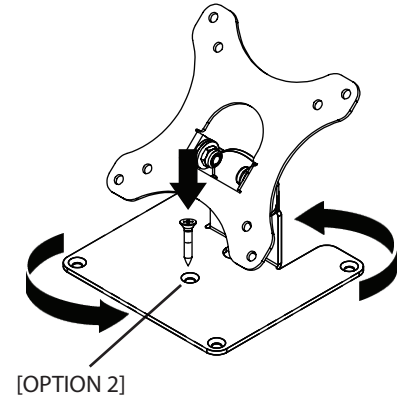
### Option 1. Fully Secure

To prevent any rotation of the VESA base, install the (4) bolts thru the (4) respective corners of the base. This provides maximum security.



### Option 2. Secure, yet Rotatable

To allow rotation of the VESA base, install (1) bolt through the center hole of the base ONLY. This allows limited movement, via free rotation of the base piece.



### Option 3. Free-Standing / Non-Secure

If no screws are installed, the VESA base can stand on its own.

This provides no security, but allows totally free movement.

