

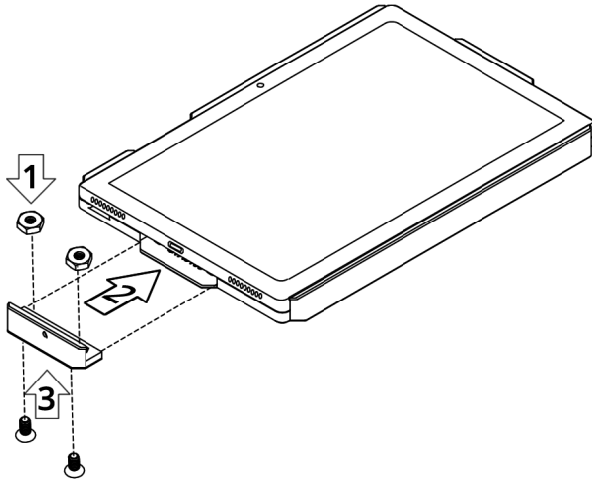
## E Reassemble the Enclosure

Reinstall the screws we removed in Step A:

[1] Place the (2) x Assembly Nuts into the Edge Retainer, if they are not embedded yet

[2] Slide the Edge Retainer into the slot built in on the Main Frame

[3] Re-install the (2) x Assembly Screws



The tablet is now securely installed in the enclosure!

## Important Note



For best results, use VidaMount VESA brackets from VidaBox for this enclosure. They have been specifically fitted to work with this item.

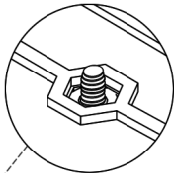
Other VESA mounting hardware can only be used after carefully checking the VESA mount screw length (Optional Step F). Too long a screw will crush & damage the tablet!

## F OPTIONAL / If Using non-VidaBox VESA Mounts: Check VESA Screw Length

**Pro-Tip:** You can SKIP this step IF you are using a VidaBox-branded VESA Mount. Otherwise, proceed below.

### IMPORTANT:

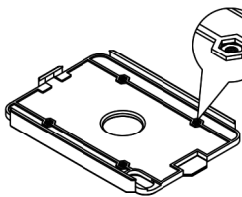
If using non-VidaBox VESA Mounts, you MUST check to make sure that the screws DO NOT PROTRUDE beyond the back plate surface.



**X NO GOOD**

Installed screws PROTRUDE BEYOND back plate surface: WILL DAMAGE TABLET!

New, shorter screws will be needed. Using these screws WILL DAMAGE the tablet when the enclosure is fully assembled!



**✓ GOOD**

Installed screws DO NOT PROTRUDE past the main plate surface: OK to use!

Proceed to install your enclosure to your 3rd party mount ONLY after the screw length is confirmed "Good."

Review the diagrams on the right



125 Newtown Rd, Ste 100  
Plainview, NY 11803 USA

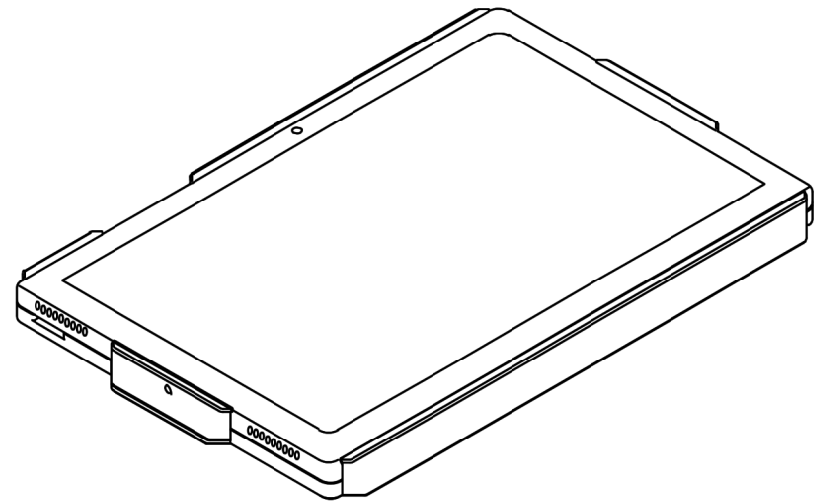
Toll-free US: (844) 4-KIOSKS  
Worldwide: +1 516-499-5050  
Australia: +61 1300 44 VIDA  
EU/UK: +44 333 444 VIDA

# INSTALLATION GUIDE

## VidaMount OPENVESA 3D-PLA Tablet Enclosures

### VB\_OPENVESA Series

Securely display your tablet with open button access & VESA compatibility. Includes Main Frame, Retainer, Assembly Hardware, & an Ultra-Slim VidaPower® Ribbon Cable



NOTE: Appearance will vary depending on tablet model. (Tablets are shown for illustrative purposes & not included)

# Installation Instructions

## VidaMount OPENVESA Tablet Enclosure

### Important Notes



[1] Appearance and size of the parts shown will vary, to match your tablet. The only tablet that will fit this enclosure is the tablet it is designed for. The enclosure is custom fitted and it cannot fit other tablet models!

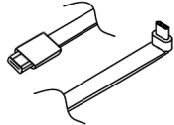
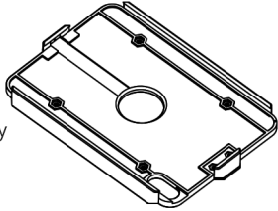
[2] For best results, use VidaMount VESA brackets (from VidaBox) for this enclosure. They have been specifically fitted to work with this item.

Other VESA mounting hardware can only be used after carefully checking the VESA mount screw length (Step F). Too long a screw will crush and damage the tablet!

### Component Checklist

VidaMount OPENVESA Mount

[Note: Part appearance will vary depending on the tablet model]



12" Ribbon Cable with 90° Connector

TOOLS YOU'LL NEED  
(not Included)

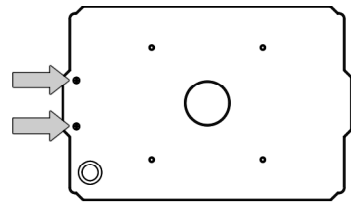


Phillips Head Screwdriver

### A Disassembling the OPENVESA Enclosure

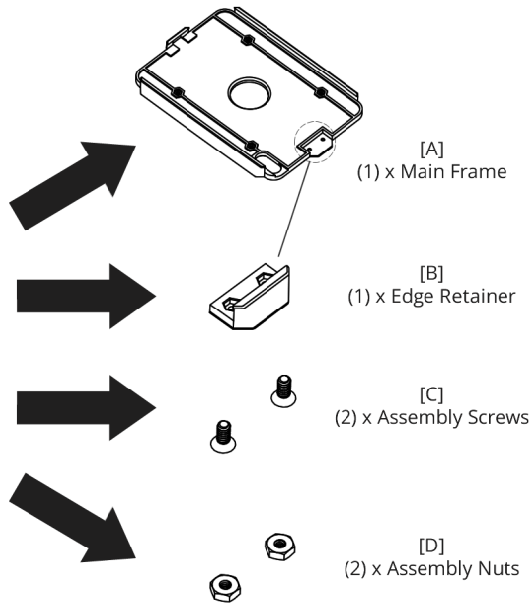
Remove the flat-head screws as shown. The assembly will split into (4) parts:

- [A] (1) x Main Frame
- [B] (1) x Edge Retainer
- [C] (2) x Assembly Screws
- [D] (2) x Assembly Nuts  
[May be embedded in Edge Retainer]



OPENVESA Enclosure REAR VIEW

**IMPORTANT:**  
Diagrams are generalized. Your exact enclosure may appear slightly different!



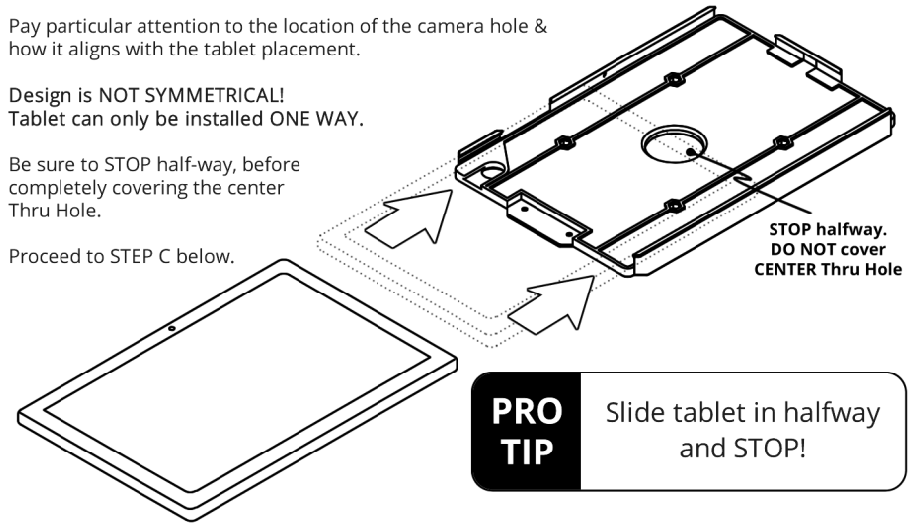
### B Slide in Your Tablet

Pay particular attention to the location of the camera hole & how it aligns with the tablet placement.

Design is NOT SYMMETRICAL!  
Tablet can only be installed ONE WAY.

Be sure to STOP half-way, before completely covering the center Thru Hole.

Proceed to STEP C below.

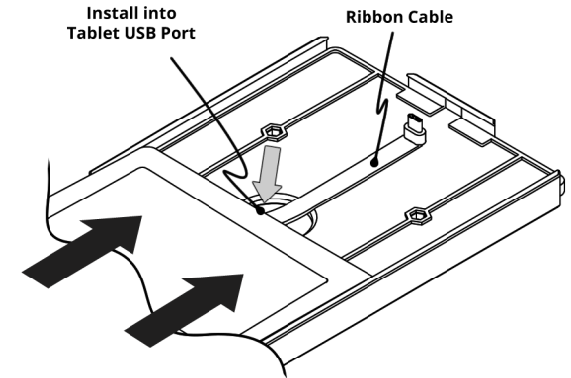


### C Install Ribbon Cable into Tablet

With the tablet inserted half-way, install the 90° angle cable thru the center Thru Hole.

Install the 90° connector into the tablet's USB port now.

Once the cable is connected, proceed to STEP D below.



### D Complete Tablet Installation

Make sure the ribbon cable isn't connected on the other end - any charging components would be pulled along with the tablet.

Push the tablet the rest of the way, until it is against the far end.

Leave Ribbon Cable loose when installing tablet

