

Important Note



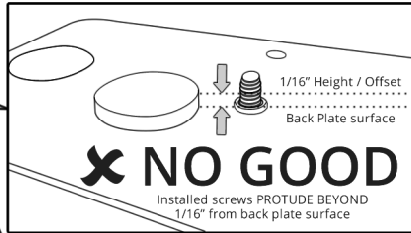
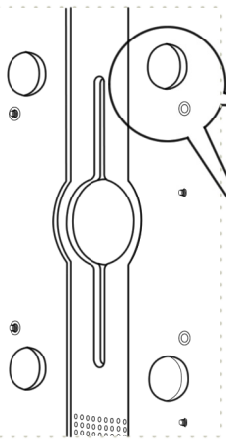
For best results, use VidaMount VESA brackets (from VidaBox) for this enclosure. It has been specifically fitted to work with this item.

Other VESA mounting hardware can only be used after carefully checking the VESA mount screw length (Step F). Too long a screw will crush and damage the iPad!

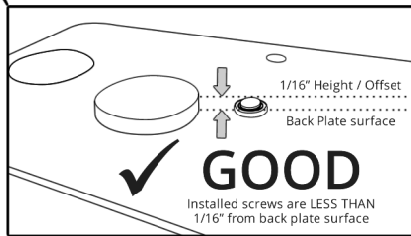
F Check VESA screw length (On non-VidaBox VESA Mounts)

With the VESA screws installed, look on the inside of the back plate.

Check to make sure that the screw lengths DO NOT PROTRUDE beyond 1/16" from the back plate surface. See diagrams below.



New, shorter screws will be needed. Using these screws WILL DAMAGE the iPad when enclosure is fully assembled!



Proceed to Step G ONLY after the screw length is confirmed "Good."

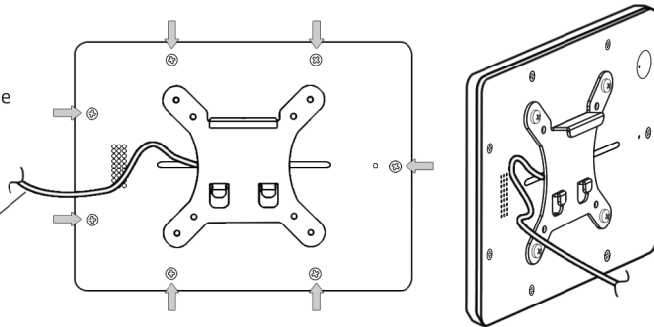
G Reassemble the Enclosure

Reinstall the (7) screws removed in Step A.

Be sure the iPad cable can be routed out of the enclosure. If not, go back to Step C and cut the grooves needed.

iPad USB-C Cable

The iPad is now securely installed in the enclosure!

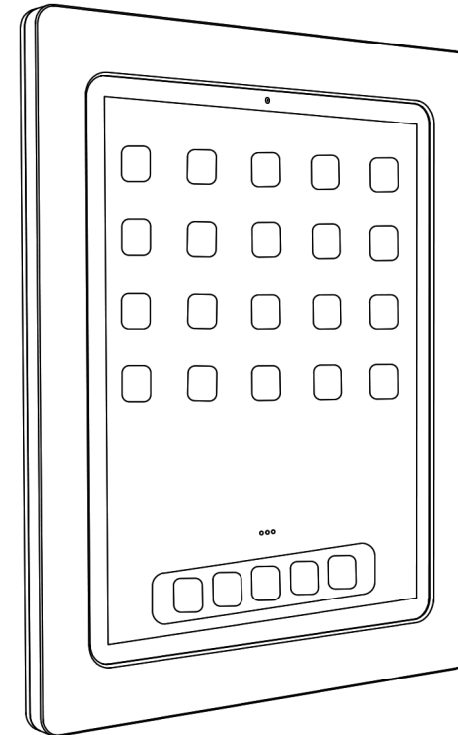


INSTALLATION GUIDE

VidaMount VESA Tablet Enclosure w. Rear Camera Exposed For 3rd & 4th Gen iPad Pro 12.9 Tablets

VB_VESA_IPRO4G129_RCE

Designed to securely enclose 3rd or 4th Gen iPad Pro 12.9 tablets and exposes the rear camera. Fits 3rd Gen iPad Pro 12.9 (2018-20 model) tablets ONLY. Compatible with VESA 100x100 mounts



(iPad is shown for illustrative purposes & not included)

 **VIDABOX**
125 Newtown Rd, Ste 100
Plainview, NY 11803 USA

Toll-free US: (844) 4-KIOSKS
Worldwide: +1 516-499-5050
Australia: +61 1300 44 VIDA
EU/UK: +44 333 444 VIDA

Installation Instructions

VidaMount VESA Enclosure - iPad Pro 3 & 4 Gen 12.9

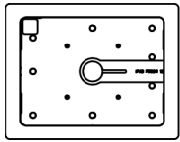
Important Note



For best results, use VidaMount VESA brackets (from VidaBox) for this enclosure. It has been specifically fitted to work with this item.

Other VESA mounting hardware can only be used after carefully checking the VESA mount screw length (Step F). Too long a screw will crush and damage the iPad!

Component Checklist

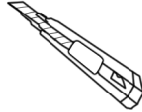


iPad Resin Enclosure
(Already assembled)

TOOLS YOU'LL NEED (not included)



Phillips head
Screwdriver



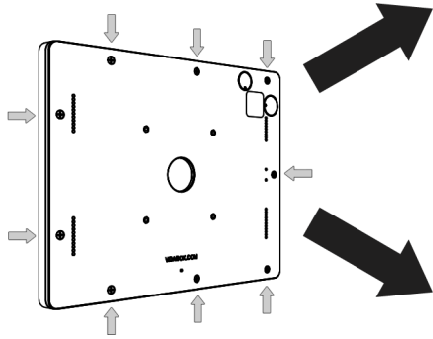
Knife / Box Cutter
(OPTIONAL)

A Disassembling the Enclosure

Remove the flat-head screws as shown. Set aside the loose hardware carefully.

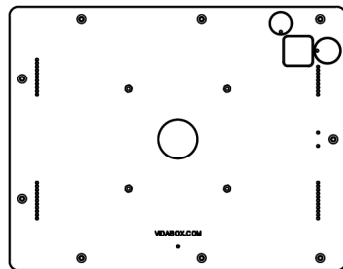
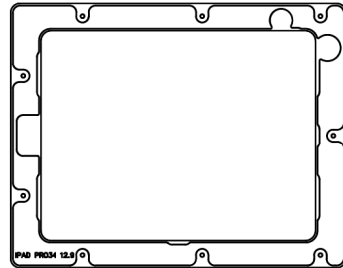
We will need this hardware again later.

We now have (2) pieces:
A. The front face plate
B. The back plate



iPad Resin Enclosure
REAR VIEW

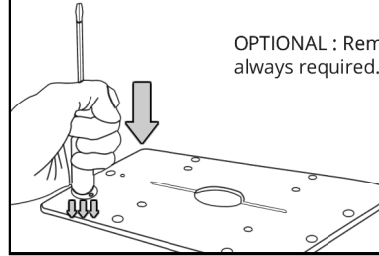
A. FRONT FACE PLATE



B. BACK PLATE

IMPORTANT: Diagrams are generalized for iPads - your exact enclosure may appear slightly different!

B Optional : Remove Power or Volume Button Knockout



OPTIONAL : Remove only if access to the power button is always required.

Using the blunt end of the screwdriver, press down on the circular knockout, as shown.

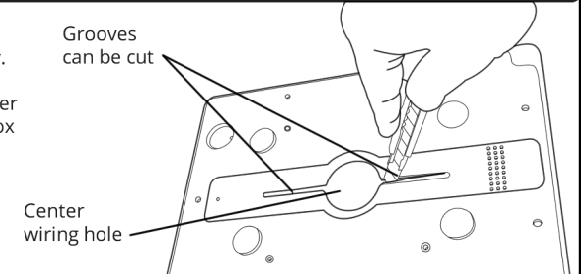
This will pop out the power button access panel.

C Optional : Cut Wiring Grooves (If needed)

OPTIONAL : Remove only if necessary.

If using a VESA mount where the center wiring hole is blocked, use a knife / box cutter, and cut out the grooves.

This will allow the tablet's wires to be routed properly.



Grooves can be cut

Center wiring hole

D Install iPad into Front Face Plate

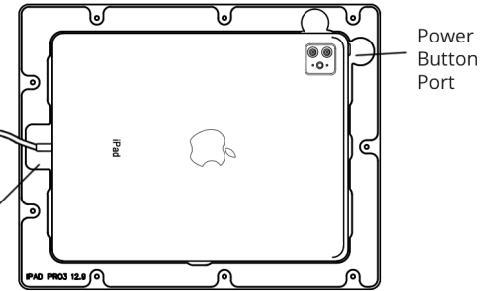
Orient the iPad properly and install it into the front face plate as shown.

Be sure that the power button, volume buttons, and USB-C cable ports line up properly.

Connect the iPad cable now. It will need to be routed through the center hole in the next steps.

iPad Cable

USB Cable Port



E Install VESA Mount onto Back Plate

Install the VESA mount we'll be using onto the back plate.

